

The **SH-TP-B** front shelf with cable passage cutout (2.5" W X 1.5" D) is simple, easy to install and use. It can be installed on our display stands TP1000 (All) and TP800 (All)

Standard Features

- 3/4" thick black thermal wrap finish
- Can be installed on our stands TP1000 (All) and TP800 (All)
- Cable passage cutout (2.5" W X 1.5" D)
- **Maximum load capacity: 15 kg/33 lbs**

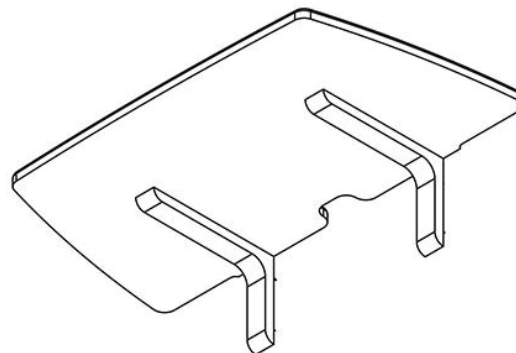
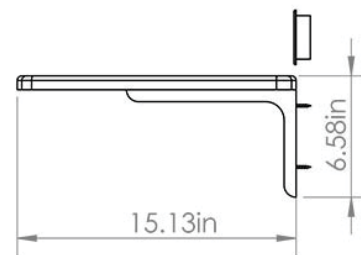
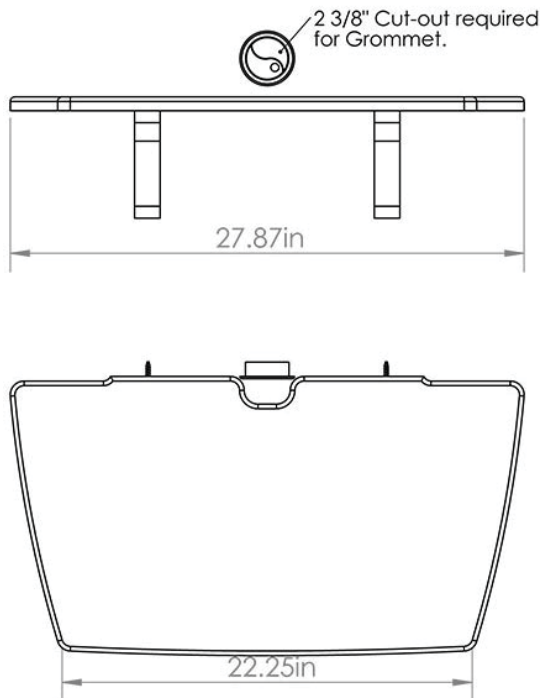
Note

May require grommet cutout. Shelf height will be determined by users requirements.

Specifications

Model: SH-TP-B
Width: 27.87"
Depth: 15.13"
Height: n/a

Color



The information contained in this drawing is the sole property of Audio Visual Furniture International. Any reproduction in part or as a whole without the written permission of Audio Visual Furniture International is prohibited. We can build or modify stock configurations to suit customer specifications. Please contact us to discuss how this service can help meet your needs. Some quantity restrictions may apply. Specification subject to change without notice. Computers, cameras, monitors, etc. are shown to illustrate product usage and are not included unless otherwise noted.