

PDYZ35 Height Adjustable Podium

The PDYZ35 is a height adjustable podium that will serve the needs of any user, regardless of their height.

Standard Features

- Height adjustable mobile multimedia podium, suitable for a tall or short person
- Silent lift mechanism raises the work surface from 36" to 50"
- Large surface to support monitors, laptops and room control systems
- Possibility to install different modules to fit your needs
- Inside compartment with 1x DIR9200-12 (12U rack module) for additional electronic equipment and a PC/storage compartment
- Highly resistant surf(x) thermowrap surface finish
- Two (2) locking doors
- 3" heavy duty casters (2 locking)

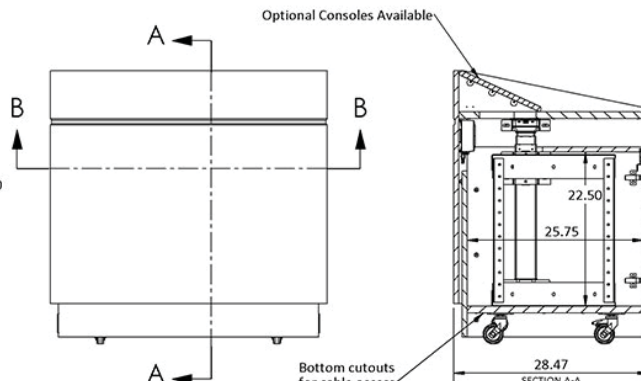
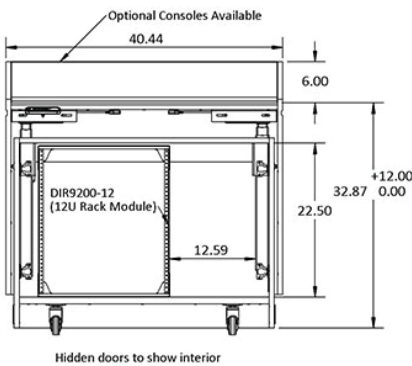
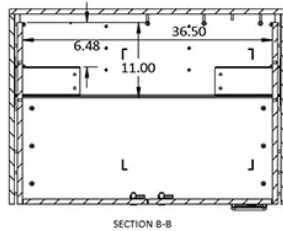
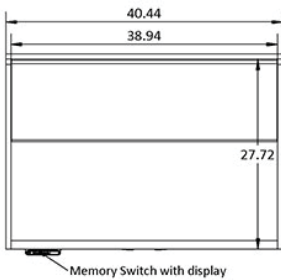
Options

- **PLM1022** 10" - 24" Monitor mount
- **C900S/C900D** Single/Dual Adjustable monitor mount
- **FM3** Count down timer/ clock
- **MIC-18** MX418 S/C Shure Gooseneck microphone
- **LIGHT-18** Littlite Gooseneck
- **PB** Six outlet power bar with 10 ft. cord
- **PC-PATCH** 2x 110AC, RJ45, Phone, 2x USB
- **SF-PB3** Surface mounted 3-outlet 120V power bar
- **CUB3** Round cable well
- **CUB4** Black-B/Silver-S Power Panel
- **CUB5** Round cable well (Black or Silver)
- **CUB8** Table top cable well
- **POP5** Pop-up connection panel
- **CHGQIW/B** Wireless charging station white or black. Only on flat cutout
- **CHGQI-DNGL** Dongle lightning, 30-pin, Micro-USB (Requires CHGQIW)
- **FAN** Quiet cooling fan
- **ONLYZ13/26/40** 13"/26"/39" Consoles
- **CUSTOM CUTOUT** Cutouts for electronics or other items specified by the customer



DIR9200-12 (12U rack module)

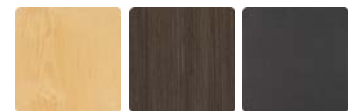
(Possible configurations with optional consoles)



Specifications

Model: PDYZ35
Width: 41"
Depth: 28.47"
Height: 36" - 50"

Finishes



Other finishes are available. Check website.

The information contained in this drawing is the sole property of Audio Visual Furniture International. Any reproduction in part or as a whole without the written permission of Audio Visual Furniture International is prohibited. AVFI can build or modify stock configurations to suit customer specifications. Please contact us to discuss how this service can help meet your needs. Some quantity restrictions may apply. Specification subject to change without notice. Computers, cameras, monitors, etc. are shown to illustrate product usage and are not included unless otherwise noted.