

PD3009 Podium with Folding Side Shelf



This modern multimedia podium is the ideal solution for distance education, electronic classrooms and corporate training sites. Model **PD3009** features a smaller footprint yet retains full size features with a divided interior configured with EIA compliant 14U rack rails on the left side and tower PC storage space on the right.

Standard Features

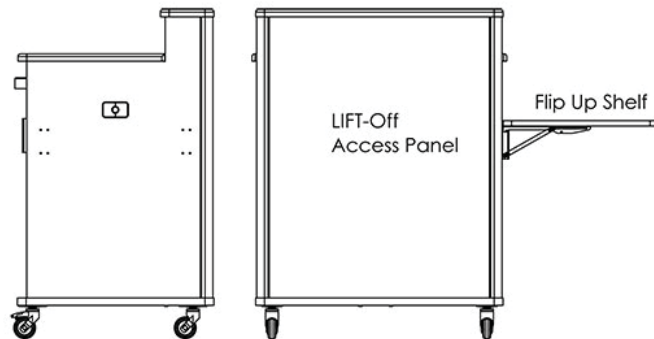
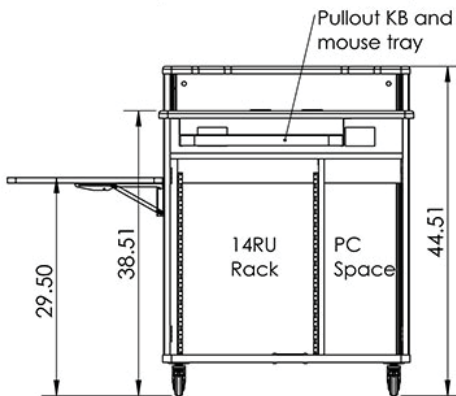
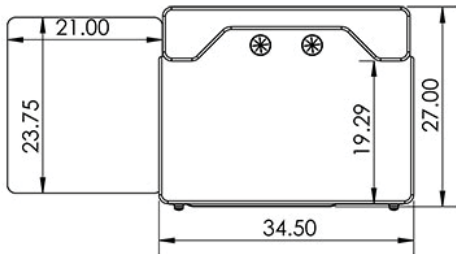
- Made with furniture grade laminates
- Large 34.5" W x 25.5" D work surface to accommodate monitors, laptops and presentation documents
- Slide-out molded keyboard tray with mouse pad
- Folding side shelf - Black only
- 14 space EIA compliant threaded rack rails (10-32 screws)
- PC/Storage compartment 10.5" W x 26.5" H x 23" D
- **FAN** Quiet cooling fan
- Entire rear panel lifts out for seamless rear access
- Locking front doors
- Modern design with anodized aluminum accents
- Heavy-duty locking casters for easy maneuvering

Options (Check website for other options)

- **C900S/C900D** Single/Dual adjustable monitor arm
- **PLM1022** 10" - 22" Monitor mount
- **MM1232** 12" - 32" Monitor mount
- **MCB1925** 19" - 25" Monitor/camera bracket
- **FM3** Count down timer/clock
- **MIC-18** MX418C Shure Gooseneck microphone
- **LIGHT-18** Littlite Gooseneck
- **PB** Six outlet power bar with 10 ft. cord
- **PC-PATCH** 2x 110AC, RJ45, Phone, 2xUSB
- **SF-PB3** Surface mounted 3-outlet 120V power bar
- **CUB3** Round cable well
- **CUB5** Round cable well (Black or silver)
- **CUB8** Table top cable well
- **9107** Lacing bar (19" long)
- **SH-FL** Additional folding shelf on other side
- **RR14** 14U rear rack rails
- **CASTER** 6" Metal caster (2 locking)
- **9031/9041/9052** Metal shelves/drawer (check website)
- **CUSTOM CUTOUT** Cutouts for electronics or other items specified by the customer



(Not exactly as shown. View main image)



Specifications

Model: PD3009
Width: 35"
Depth: 27"
Height: 44.5"

Finishes



Other finishes are available. Check website.

The information contained in this drawing is the sole property of Audio Visual Furniture International. Any reproduction in part or as a whole without the written permission of Audio Visual Furniture International is prohibited. AVFI can build or modify stock configurations to suit customer specifications. Please contact us to discuss how this service can help meet your needs. Some quantity restrictions may apply. Specification subject to change without notice. Computers, cameras, monitors, etc. are shown to illustrate product usage and are not included unless otherwise noted.