



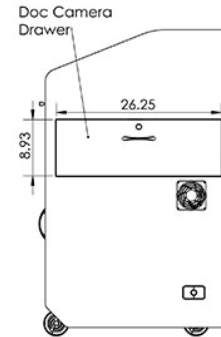
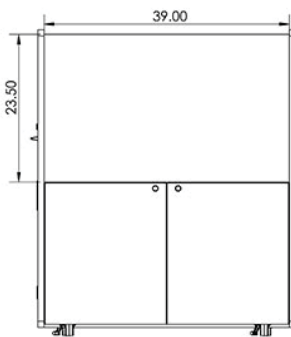
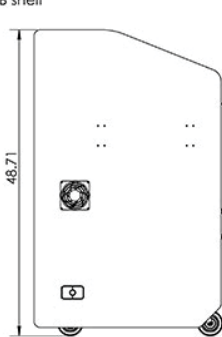
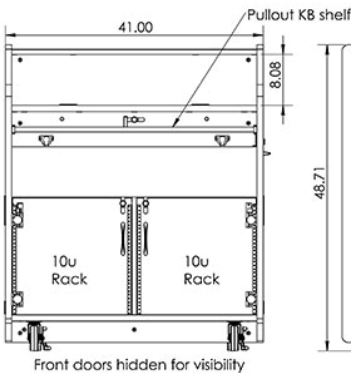
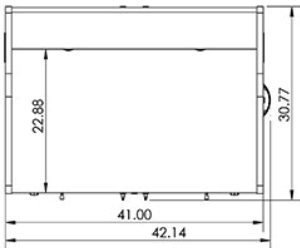
The roll-about multimedia podiums are the ideal solution for distance education, electronic classrooms and corporate training sites. Model **PD3007** features a large top surface to support monitors, laptops and room control systems.

Standard Features

- Made with furniture grade laminates
- Large 39" W x 29" D work surface to accommodate monitors, laptops and presentation documents
- Slide out keyboard drawer with drop-front for easy access
- Heavy-duty casters for easy maneuvering
- Dual 10 space EIA compliant 10U rack rails/10-32 screws
- Large 27.25" W x 24.25" D x 8.125" H pullout drawer
- Door locks on all compartments
- Ships assembled

Options

- **C900S** 15" - 24" Adjustable monitor arm
- **PLM1022** 10" - 22" Monitor mount
- **MM1232** 12" - 32" Monitor mount
- **MCB1925** 19" - 25" Monitor/camera bracket
- **FM3** Count down timer/clock
- **MIC-18** MX418C Shure Gooseneck microphone
- **LIGHT-18** Littlite Gooseneck
- **FAN** Quiet cooling fan
- **PB** Six outlet power bar with 10 ft. cord
- **PC-PATCH** 2x 110AC, RJ45, Phone, 2x USB
- **SF-PB3** Surface mounted 3-outlet 120V power bar
- **CUB3** Round cable well
- **CUB5** Round cable well (Black or silver)
- **CUB8** Table top cable well
- **POP5** Pop-up connection panel
- **9031/9052** Metal shelf/drawer (check website)
- **CNL39** Removable console for custom surface cutouts
- **SH-FL** Folding side shelf kit
- **9107** Lacing bar (19" long)
- **Feet/Levelers** Instead of 4" casters
- **CUSTOM CUTOUT** Cutouts for electronics or other items specified by the customer



Specifications

Model: PD3007
Width: 41"
Depth: 30"
Height: 48.5"

Finishes



Other finishes are available with a longer lead time. Check website.

The information contained in this drawing is the sole property of Audio Visual Furniture International. Any reproduction in part or as a whole without the written permission of Audio Visual Furniture International is prohibited. AVFI can build or modify stock configurations to suit customer specifications. Please contact us to discuss how this service can help meet your needs. Some quantity restrictions may apply. Specification subject to change without notice. Computers, cameras, monitors, etc. are shown to illustrate product usage and are not included unless otherwise noted.