

New Feature:

Top rear removable, intended to easily be mounted in a wedge position or as flat large work surface, that can support monitors laptops and room control systems.

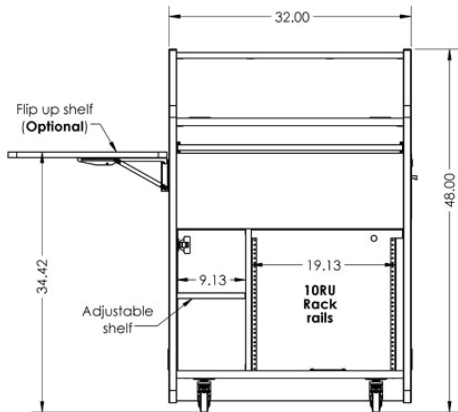
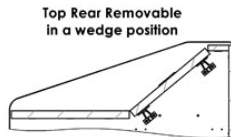
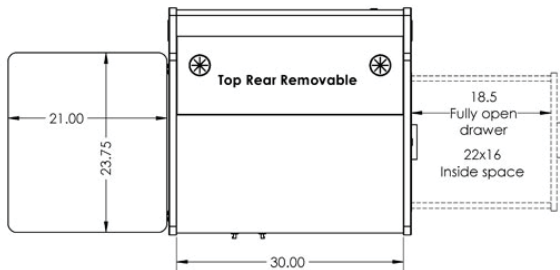
The mid sized multimedia podiums are the ideal solution for distance education, electronic classrooms and corporate training sites. Model **PD3006** features a keyboard slide, a large pullout drawer with interior storage for additional electronic equipment.



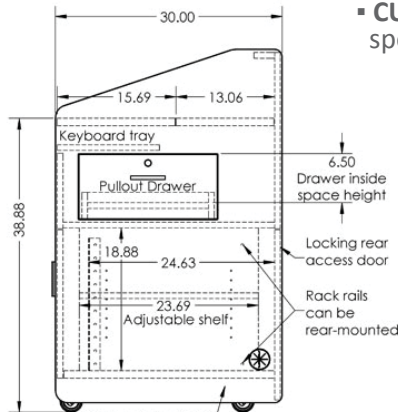
Console Top Shown



Flat Top Shown



Front doors and panel are hidden for detail



Bottom cutouts for fan and cable access

Standard Features

- Made with furniture grade laminates
- Large 30" W x 28.75" D work surface to accommodate monitors, laptops and presentation documents
- Slide out keyboard shelf
- Large 22" W x 16" D x 6.5" H pullout drawer
- PC/Storage compartment 9.125" W x 28" D x 18.75" H with adjustable height shelf
- 10 space EIA compliant 10U threaded rack rails (10-32 screws)
- Door locks on all compartments
- Heavy-duty casters for easy maneuvering
- Ships assembled

Options

- **C900S** 15" - 24" Adjustable monitor arm
- **PLM1022** 10" - 24" Monitor mount
- **MM1232** 10" - 22" Monitor mount
- **MCB1925** 19" - 25" monitor/camera bracket
- **FAN** Quiet cooling fan
- **FM3** Count down timer/clock
- **MIC-18** MX418 S/C Shure Gooseneck microphone
- **LIGHT-18** Littlite Gooseneck
- **PB** Six outlet power bar with 10 ft. cord
- **PC-PATCH** 2x 110AC, RJ45, Phone, 2x USB
- **SF-PB3** Surface mounted 3-outlet 120V power bar
- **CUB3** Round cable well
- **CUB4** Black-B/Silver-S Power Panel
- **CUB5** Round cable well (Black or Silver)
- **CUB8** Table top cable well
- **CHGQIW** Wireless charging station white. Only on flat cutout
- **CHGQI-DNGL** Dongle lightning, 30-pin, Micro-USB. Requires CHGQIW
- **9031-1/2/3** Utility metal shelf
- **9052-2/3** Sliding metal drawer
- **SH-FL** Folding side shelf
- **9107** Lacing bar (19" long)
- **LEV4AX4** 4x Levelers for non-mobile applications
- **CUSTOM CUTOUT** Cutouts for electronics or other items specified by the customer

Specifications

Model: PD3006
Width: 32"
Depth: 30"
Height: 48"

Finishes



Other finishes are available with a longer lead time. Please check website.

The information contained in this drawing is the sole property of Audio Visual Furniture International. Any reproduction in part or as a whole without the written permission of Audio Visual Furniture International is prohibited. AVFI can build or modify stock configurations to suit customer specifications. Please contact us to discuss how this service can help meet your needs. Some quantity restrictions may apply. Specification subject to change without notice. Computers, cameras, monitors, etc. are shown to illustrate product usage and are not included unless otherwise noted.