



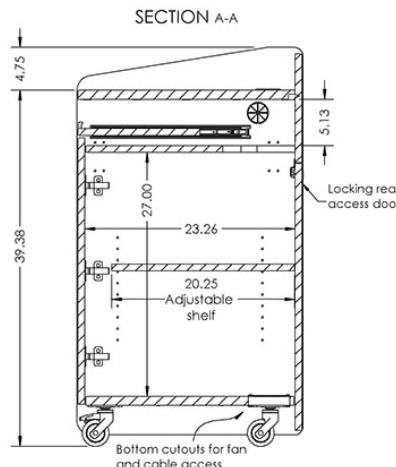
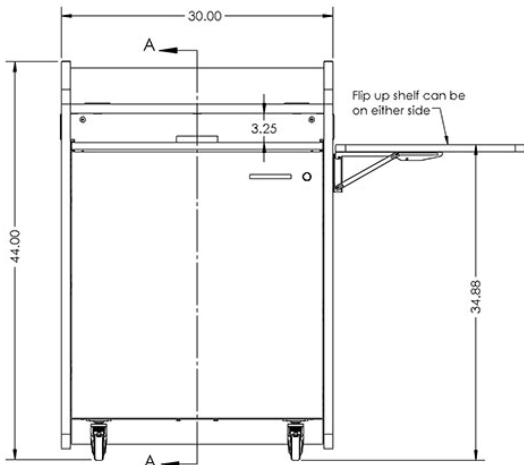
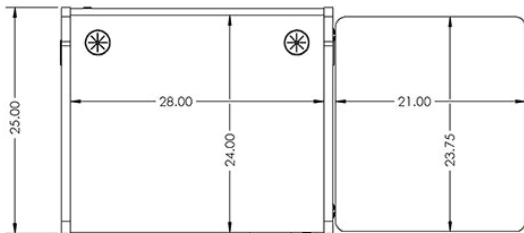
The roll-about economy podium model **PD3003** is a smaller compact version of our popular multimedia presentation podiums. To reduce the overall size this unit comes with a large folding side shelf and an open front keyboard shelf.

Standard Features

- Made with furniture grade laminates
- Large 28" W x 24" D work surface to accommodate monitors, laptops and presentation documents
- Slide out keyboard shelf
- Heavy-duty casters for easy maneuvering
- Large 28" W x 23" D x 27" H interior storage space with adjustable/removable shelf
- Large 21" W x 23.75" D folding side shelf
- Ships assembled

Options (Check website for other options)

- **C900S/C900D** Single/Dual adjustable monitor arm
- **PLM1022** 10" - 22" Monitor mount
- **MM1232** 12" - 32" Monitor mount
- **MCB1925** 19" - 25" monitor/camera bracket
- **FM3** Count down timer/clock
- **FAN** Quiet cooling fan
- **MIC-18** MX418C Shure Gooseneck microphone
- **LIGHT-18** Littlite Gooseneck
- **PB** Six outlet power bar with 10 ft. cord
- **PC-PATCH** 2x 110AC, RJ45, Phone, 2x USB
- **SF-PB3** Surface mounted 3-outlet 120V power bar
- **CUB3** Round cable well
- **CUB5** Round cable well (Black or Silver)
- **CUB8** Table top cable well
- **POP5** Pop-up connection panel
- **9031/9041/9052** Metal shelves/drawer (Check website)
- **DIR9200-10/DIR9200-12** 10U/12U Rack module
- **RMT14** 14U rack frame kit - Replaces interior shelf
- **SH-FL** Additional folding shelf
- **CNL28** Removable console for custom surface cutouts
- **Feet/Levelers** Instead of casters
- **CUSTOM CUTOUT** Cutouts for electronics or other items specified by the customer



Specifications

Model: PD3003
Width: 30"
Depth: 25"
Height: 44"

Finishes



Other finishes are available with a longer lead time. Please check website.

The information contained in this drawing is the sole property of Audio Visual Furniture International. Any reproduction in part or as a whole without the written permission of Audio Visual Furniture International is prohibited. AVFI can build or modify stock configurations to suit customer specifications. Please contact us to discuss how this service can help meet your needs. Some quantity restrictions may apply. Specification subject to change without notice. Computers, cameras, monitors, etc. are shown to illustrate product usage and are not included unless otherwise noted.