

The **Package O** comprised of the **PM-XFL-LIFT** (Mobile Electric Lift Stand) and the **TVCB-XL** (TV mounted camera bracket) are the ideal combination when mobility and electric lifting capability are mandated. This pair perfectly lends itself to most educational, teaching, business, military, courtroom and corporate training environments.

**Standard Features**

**PM-XFL-LIFT Stand**

- Accommodates up to 90" flatscreens
- Accommodates \*SMART® interactive displays
- 20" travel electric Worm-Drive actuator for safety and reliability
- Cable push-button remote for easy incremental adjustments
- 5" metal casters with ballbearings, non-marking wheels, 2 are locking
- Wiring channel inside main pillar
- Scratch resistant powder coat finish

**TVCB-XL Camera bracket**

- Sturdy 11 GA steel construction
- Accommodates most 52" - 70" flat panel monitors
- Fits most cameras including wide HD cams (EagleEye™)
- Camera height adjustable for different TV sizes
- Fastening hardware included
- Black powder coated finish

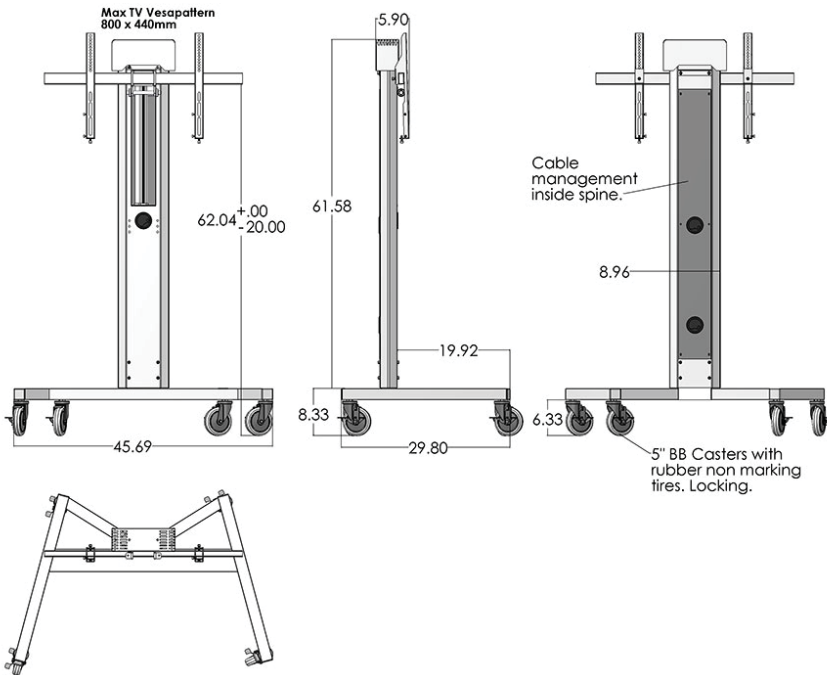
**Options**

- **PB** Six outlet power bar with 10 ft. cord
- **PM-PB** Mounted six outlet power bar with 10 ft. cord
- **PM2-RU** 2U bracket
- **CBB-TV** Under TV camera bracket (26" - 80" TV's)
- **BKT-C20** C20 Codec bracket
- **BKT-SX20** SX20 Codec bracket
- **PM-HDCB** HD Codec bracket
- **PM-PC-BKT** Codec/PC bracket
- **FEET** Adjustable leveling feet

**Specifications**

**Model:** PACKAGE O  
**Width:** 46" or TV  
**Depth:** 29-1/2"  
**Height:** 65" minimum

**Colors**



The information contained in this drawing is the sole property of Audio Visual Furniture International. Any reproduction in part or as a whole without the written permission of Audio Visual Furniture International is prohibited. We can build or modify stock configurations to suit customer specifications. Please contact us to discuss how this service can help meet your needs. Some quantity restrictions may apply. Specification subject to change without notice. Computers, cameras, monitors, etc. are shown to illustrate product usage and are not included unless otherwise noted. \*SMART Board® is a trademark or registered trademark of SMART Technologies ULC in the U.S. and/or other countries. Not verified by SMART. Polycom® and EagleEye™ are registered trademarks of Polycom of Pleasanton, California