

The **Package M** comprised of the **TP1000** stand + **Single Mount** + **FAN** provides a clean modern look for a wide range of video conferencing and flat panel display applications.

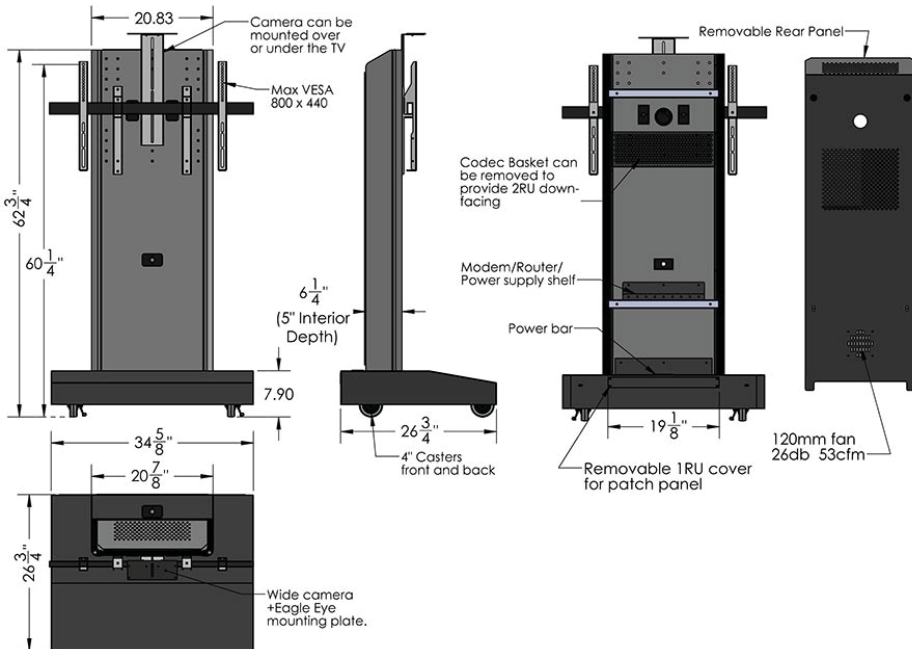


Standard Features

- Accommodates 40" - 80" displays (160 lbs max - 800mm x 440mm spacing)
- Scratch resistant thermal wrap finish available in many colors
- Adjustable TV bracket height during setup
- Adjustable camera mount for mounting above or below TV
- Wiring channel inside main pillar
- Includes 3U mounted codec basket, 1U rear jack panel, electronics shelf and a 6 outlet power bar with 10 ft. cord mounted inside
- Base is weighted
- 4" casters with rubber wheels
- **FAN** Quiet cooling fan

Options

- **PB** Six outlet power bar with 10 ft. cord
- **SBB** Sound bar bracket
- **PM2-ARM** Side mounting camera bracket
- **CBB-TV** Under TV camera bracket (26" - 80" TV's)
- **BKT-ST60** Cisco SpeakerTrack60 camera bracket
- **BKT-C20** C20 Codec bracket
- **BKT-SX20** SX20 Codec bracket
- **SH-TP-B** 3/4" Black thermal wrap finish front shelf
- **RR3** Additional 3U rack rails
- **M38L** 4x Levelers for non-mobile applications



Specifications

Model: PACKAGE M
Width: 34-5/8" +
Depth: 26-3/4"
Height: 62-3/4" +

Colors



The information contained in this drawing is the sole property of Audio Visual Furniture International. Any reproduction in part or as a whole without the written permission of Audio Visual Furniture International is prohibited. We can build or modify stock configurations to suit customer specifications. Please contact us to discuss how this service can help meet your needs. Some quantity restrictions may apply. Specification subject to change without notice. Computers, cameras, monitors, etc. are shown to illustrate product usage and are not included unless otherwise noted.