

The **Package L** comprised of the **MC1000** cart and the **MC-XLD** dual display mount are the ideal combination when mobility is mandated. This pair perfectly lends itself to most educational teaching, business, military, courtroom and corporate training environments.

Standard Features

MC1000 Cart

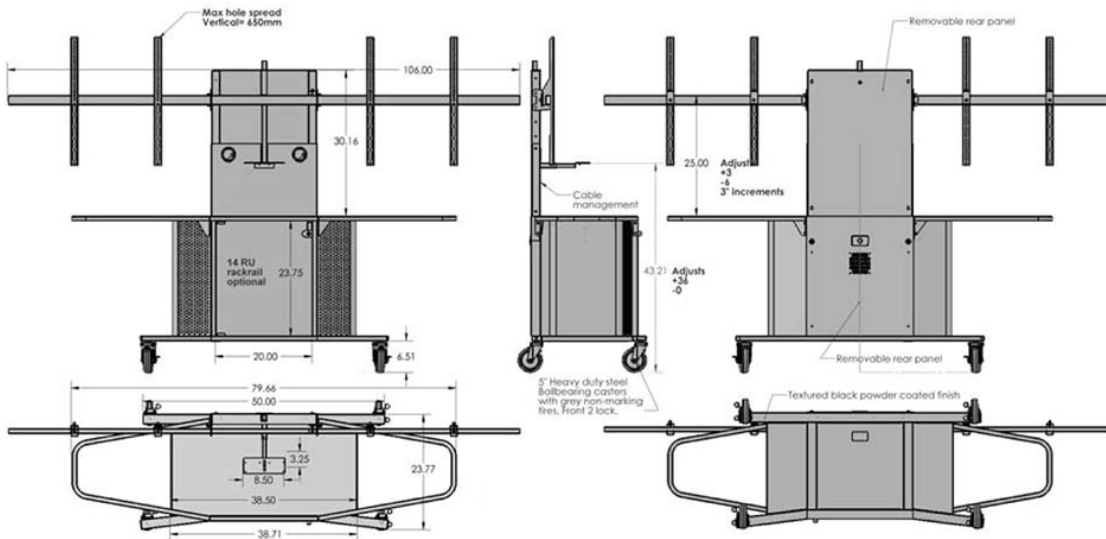
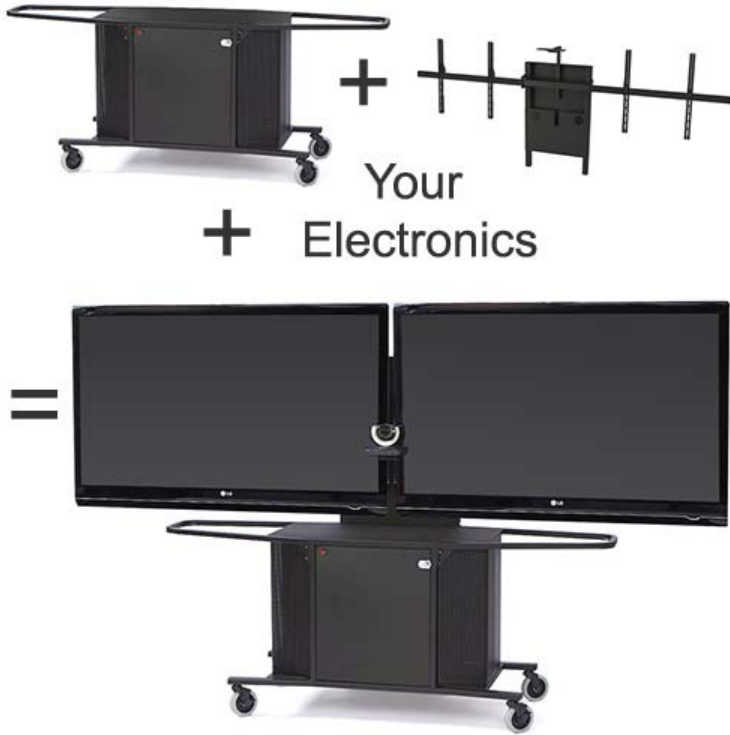
- Welded steel construction
- Acrylic locking front door and rear removable access panel
- Built in handles for easy maneuvering
- 14U front rack rails
- Ready for optional speakers behind side panels
- Perforated metal sides for maximum ventilation
- Wide wheel base for added stability
- 5" heavy duty casters (2 locking)

MC-XLD Mount

- Sturdy 11ga steel, powder coated texture black
- Wiring channel inside main pillar
- Adjustable TV and camera height during setup
- Accommodates 60" - 80" displays (280 lbs max)
- Tilt adjustment during setup

Options

- **PB** Six outlet power bar with 10 ft. cord
- **FAN** Rear interior exhaust fan
- **SBB** Sound bar bracket
- **PM-CMP** Camera mounting plate
- **CBB-TV** Under TV camera bracket (26" - 80" TV's)
- **BKT-ST60** Cisco SpeakerTrack60 Camera bracket
- **BKT-C20** C20 Codec bracket
- **BKT-SX20** SX20 Codec bracket
- **RR14** 14U set of rack rails for rear (10-32 thread)
- **9031** Vented metal shelf
- **9041** Sliding shelf
- **9052** Sliding drawer
- **FEET** Adjustable leveling feet



Specifications

Model: PACKAGE L
Width: 106"+
Depth: 23-3/4"
Height: 64"+

Colors



The information contained in this drawing is the sole property of Audio Visual Furniture International. Any reproduction in part or as a whole without the written permission of Audio Visual Furniture International is prohibited. We can build or modify stock configurations to suit customer specifications. Please contact us to discuss how this service can help meet your needs. Some quantity restrictions may apply. Specification subject to change without notice. Computers, cameras, monitors, etc. are shown to illustrate product usage and are not included unless otherwise noted.