



The **Package D** comprised of the **PL3070** cart and the **PM-D** display mount are the ideal combination when mobility is mandated. This pair perfectly lends itself to most educational teaching, business, military, courtroom and corporate training environments.

Standard Features

PL3070 Cart

- 14U rack rail mounts (10-32 screws)
- Locking front and rear
- Rear door for easy access to equipment stored inside
- Premium 4 1/2" casters, front two are locking
- Tinted acrylic front door
- Vented perforated metal sides
- Ships assembled

PM-D Mount

- Sturdy 11ga steel, powder coated texture black
- Wiring channel inside main pillar
- Adjustable TV and camera height during setup
- Accommodates 40" to 70" TV's (160 lbs total max)
- Designed to integrate with our predrilled carts

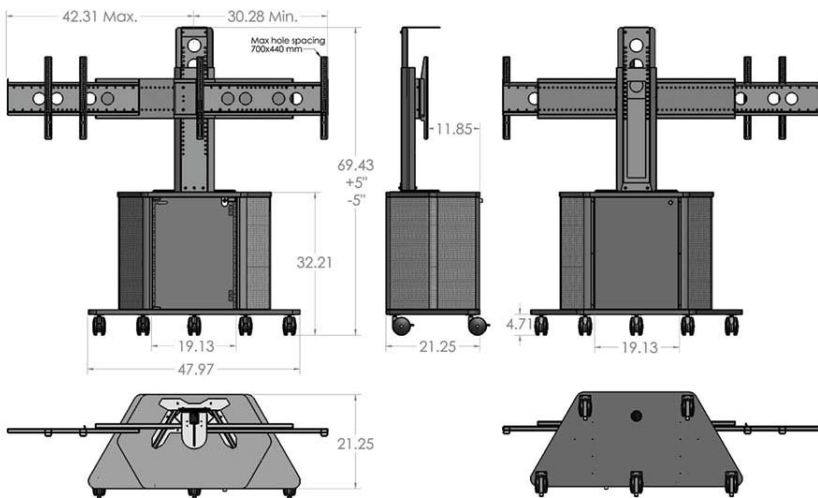
Options

PL3070

- **PB** Six outlet power bar with 10 ft. cord
- **MM1232** Monitor mount
- **9107** Lacing bar
- Rack mount accessories

PM-D

- **PM-CVR** Base cover
- **PM-HDCB** HD Codec bracket
- **PM-HD-EXP** LifeSize® Express™ 200/220 bracket
- **PM-CMP** Camera mounting plate
- **PM-CAM** For mounting camera below TV
- **CBB-TV** Under TV camera bracket (26" - 80" TV's)
- **BKT-C20** C20 Codec bracket
- **PM-PB** Mounted six outlet power bar with 10 ft. cord
- **PM-BKT-S** Additional TV bracket for additional TV on rear
- **PM-HANDLE** Grab handles



Specifications

Model: PACKAGE D
Width: 60"+
Depth: 29"
Height: 62.5" - 72.5"

Colors



The information contained in this drawing is the sole property of Audio Visual Furniture International. Any reproduction in part or as a whole without the written permission of Audio Visual Furniture International is prohibited. We can build or modify stock configurations to suit customer specifications. Please contact us to discuss how this service can help meet your needs. Some quantity restrictions may apply. Specification subject to change without notice. Computers, cameras, monitors, etc. are shown to illustrate product usage and are not included unless otherwise noted.