

**MM1232 Monitor Mount**



The **MM1232** makes an ideal mount for inexpensive smaller videoconferencing setups, either desktop mounted or on a mobile cart. This mount accommodates most 12" to 32" and some 37".

**Standard Features**

- Accommodates 12" - 32" displays (200mm X 200mm max) but will accommodate some 37"
- Steel tube construction
- Sturdy 11 Ga steel construction
- Scratch resistant powder coat finish
- Attaches to desk surface through grommet or drilled hole
- Adjustable height camera mount during setup
- Adjustable TV bracket height during setup



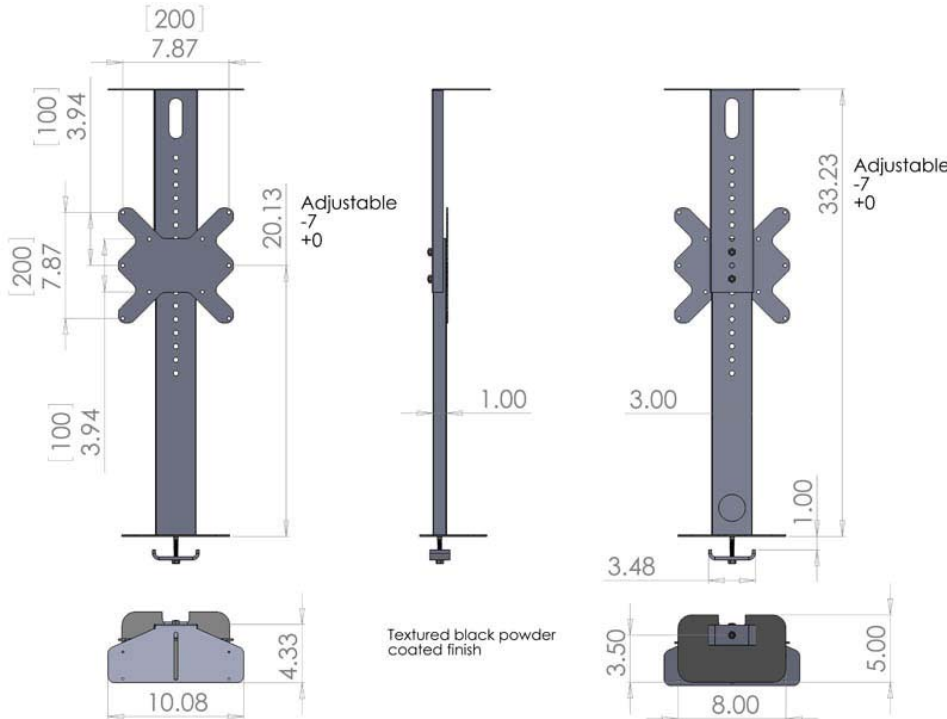
**Options**

- **PB** Six outlet power bar with 10 ft. cord
- **CBB-TV** Under TV camera bracket (26" - 80" TV's)
- **BKT-C20** C20 codec bracket

**Specifications**

**Model:** MM1232  
**Width:** 10"  
**Depth:** 5"  
**Height:** 23" - 33"

**Color**



The information contained in this drawing is the sole property of Audio Visual Furniture International. Any reproduction in part or as a whole without the written permission of Audio Visual Furniture International is prohibited. We can build or modify stock configurations to suit customer specifications. Please contact us to discuss how this service can help meet your needs. Some quantity restrictions may apply. Specification subject to change without notice. Computers, cameras, monitors, etc. are shown to illustrate product usage and are not included unless otherwise noted.