

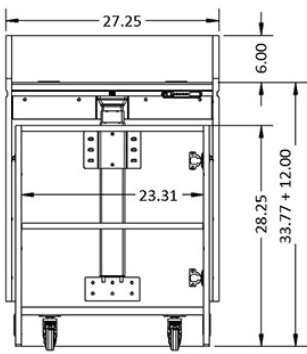
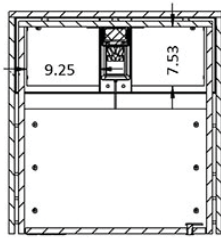
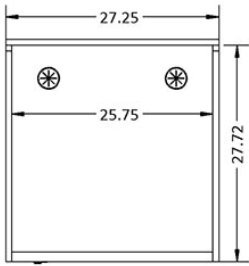
# LEXYZ34 Height Adjustable Lectern



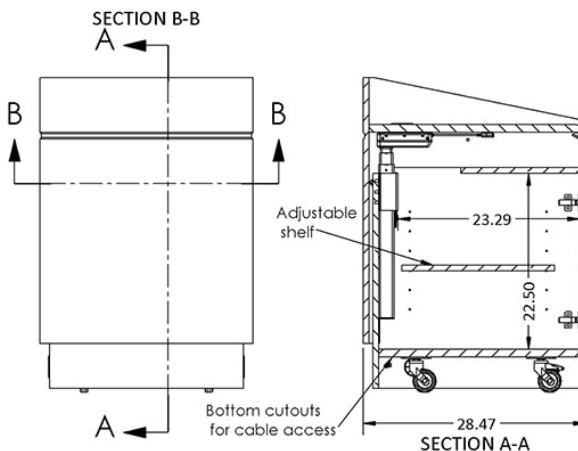
Shown with optional **CNL26** & **CUB8** installed (Sold separately)



Shown with optional **DIR9200-12** (Sold separately)



Front door is hidden for detail



The **LEXYZ34** is a height adjustable lectern that will serve the needs of any user, regardless of their height. It features silent lift mechanism and surface to support monitors, laptops and room control systems.

### Standard Features

- Roll-about multimedia lectern
- Suitable for a tall or short person
- Silent lift mechanism raises the work surface from 32.5" to 48.5"
- Surface to support monitors, laptops and room control systems
- Interior adjustable shelf which can be removed to install an optional 12U rack module
- One (1) locking door
- Highly resistant thermowrap surface/body finish
- 3" heavy duty casters (2 locking)

### Options

- **PLM1022** 10" - 24" Monitor mount
- **C900S** 15" - 24" Adjustable Monitor mount
- **FM3** Count down timer/ clock
- **MIC-18** MX418 S/C Shure Gooseneck microphone
- **LIGHT-18** Littlite Gooseneck
- **FAN** Quiet cooling fan
- **PB** Six outlet power bar with 10 ft. cord
- **PC-PATCH** 2x 110AC, RJ45, Phone, 2x USB
- **SF-PB3** Surface mounted 3-outlet 120V power bar
- **CUB3** Round cable well
- **CUB4** Black-B/Silver-S Power Panel
- **CUB5** Round cable well
- **CUB8** Table top cable well
- **CHGQIW/B** Wireless charging station white or black. Only on flat cutout
- **CHGQI-DNGL** Dongle lightning, 30-pin, Micro-USB. Requires CHGQIW/B
- **CNL13** 13" Console
- **CNL26** 26" Console
- **DIR9200-12** 12U Rack module
- **CUSTOM CUTOUT** Cutouts for electronics or other items specified by the customer. Top surface and/or console area only.

### Specifications

**Model:** LEXYZ34  
**Width:** 27.31"  
**Depth:** 28.85"  
**Height:** 43.2"

### Finishes



Other finishes are available. Check website.

The information contained in this drawing is the sole property of Audio Visual Furniture International. Any reproduction in part or as a whole without the written permission of Audio Visual Furniture International is prohibited. AVFI can build or modify stock configurations to suit customer specifications. Please contact us to discuss how this service can help meet your needs. Some quantity restrictions may apply. Specification subject to change without notice. Computers, cameras, monitors, etc. are shown to illustrate product usage and are not included unless otherwise noted.