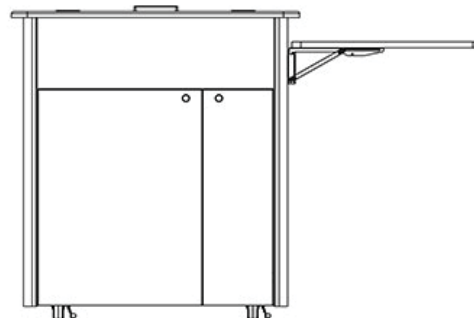
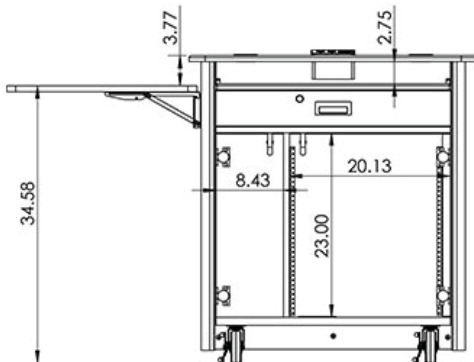
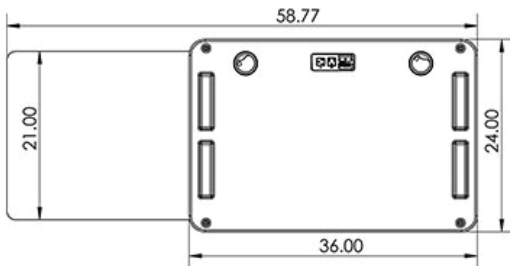




Shown with options



EDU-LE features 12 rack spaces and a folding side shelf. Clean audience side look with locking rear access door. Other features include: locking front doors, pull-out keyboard and mouse tray, removable top surface, quiet cooling fan and 4" heavy duty ball bearing casters.

Standard Features

- Made with furniture grade laminates (body) and scratch resistant black thermal wrap (top surfaces)
- 12U rackrails 19 3/8" depth (10-32 screws)
- Locking front and rear doors
- Aluminum protected corners
- Desktop or PC space (8.4" W, 21.1" D and 23" H)
- Open shelf for easy storage
- Locking drawer
- Pull-out keyboard and mouse tray
- Folding side shelf (Can accommodate one per side)
- **FAN** Quiet cooling fan
- PC-PATCH 2x110v outlets, RJ45, Phone, USB)
- 4" heavy duty ballbearing casters, 2 locking

Options

- **C900S** 15" - 24" Adjustable monitor arm
- **C900D** Adjustable dual monitor arm
- **PLM1022** 10" - 22" Monitor mount
- **MM1232** 12" - 32" Monitor mount
- **MCB1925** 19" - 25" Monitor/camera bracket
- **FM3** Count down timer/ clock
- **MIC-18** MX418C Shure Gooseneck microphone
- **LIGHT-18** Littlite Gooseneck
- **FAN** Quiet cooling fan
- **PB** Six outlet power bar with 10 ft. cord
- **CUB3** Round cable well
- **CUB5** Round cable well
- **CUB8** Table top cable well
- **9031** Vented metal shelf
- **9052** Sliding metal drawer
- **9107** Lacing bar (19" long)
- **CUSTOM CUTOUT** Cutouts for electronics or other items specified by the customer

Specifications

Model: EDU-LE
Width: 36"
Depth: 24"
Height: 38-3/8"

Finishes



Other finishes are available. Check website.

The information contained in this drawing is the sole property of Audio Visual Furniture International. Any reproduction in part or as a whole without the written permission of Audio Visual Furniture International is prohibited. AVFI can build or modify stock configurations to suit customer specifications. Please contact us to discuss how this service can help meet your needs. Some quantity restrictions may apply. Specification subject to change without notice. Computers, cameras, monitors, etc. are shown to illustrate product usage and are not included unless otherwise noted.