



We offer you **PM2-CCM** which was designed for 2nd generation dual/triple tube mounts (TP800-D, TP1000-D and T526-D). Small gap between TV's (1/4"). Height adjustable. Depth adjustment better suited for thin TV's

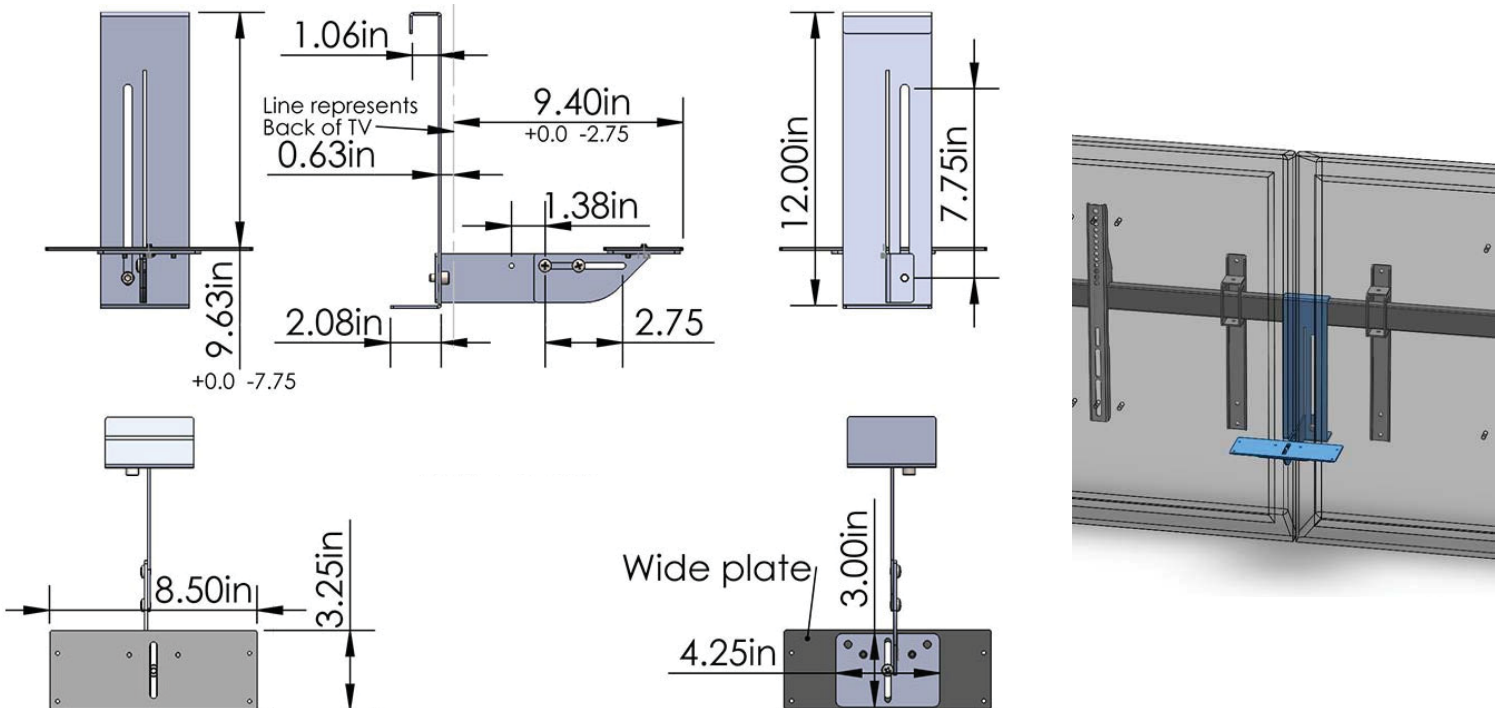
Standard Features

- Fits TP800-D, TP1000-D, T526-D and T526EX-D
- Small gap between TV's (1/4")
- Height adjustable
- Depth adjustment better suited for thin TV's
- Includes wide camera plate

Specifications

Model: PM2-CCM
Width: 8.50"
Depth: 7.75"
Height: 12"

Color



The information contained in this drawing is the sole property of Audio Visual Furniture International. Any reproduction in part or as a whole without the written permission of Audio Visual Furniture International is prohibited. We can build or modify stock configurations to suit customer specifications. Please contact us to discuss how this service can help meet your needs. Some quantity restrictions may apply. Specification subject to change without notice. Computers, cameras, monitors, etc. are shown to illustrate product usage and are not included unless otherwise noted.