

We introduce our latest mount for mounting camera below the TV or between two TV's on a PM-D. **PM-CAM** mount allows a lower camera angle which provides better face to face conferencing. The **PM-CAM** can be added to PM-S, PM-D and PM-S-FL. It can be added to PM-S-XL but may require drilling new holes depending on TV size.

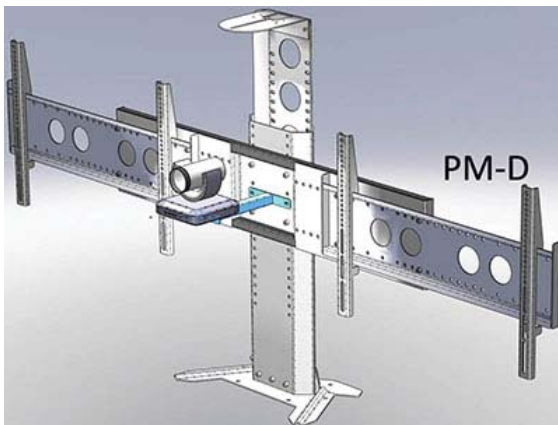
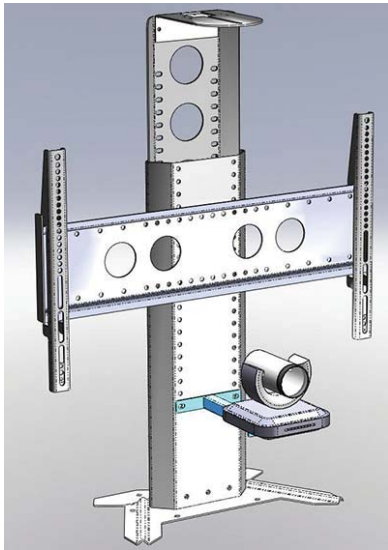
Standard Features

- Allows camera to be mounted below TV (PM-S/PM-S-FL)
- Allows camera to be mounted between TV (PM-D)
- Accommodates most cameras
- Polycom *EagleEye™ mounting plate extension
- Telescopic extension for different TV depths
- Heavy duty 11ga steel construction
- Powder coated textured black
- Mounting hardware included

Specifications

Model: PM-CAM
Width: 8.5"
Depth: 11.5"
Height: 1"

Color



The information contained in this drawing is the sole property of Audio Visual Furniture International. Any reproduction in part or as a whole without the written permission of Audio Visual Furniture International is prohibited. AVFI can build or modify stock configurations to suit customer specifications. Please contact us to discuss how this service can help meet your needs. Some quantity restrictions may apply. Specification subject to change without notice. Computers, cameras, monitors, etc. are shown to illustrate product usage and are not included unless otherwise noted. *Polycom® and EagleEye™ are registered trademarks of Polycom of Pleasanton, California