

The **MCB1925** makes an ideal mount for mating videoconferencing cameras to computer monitors. This mount accommodates most 19" to 25" monitors. Installation is quick with all hardware and spacers included for mounting on monitor arms or free standing monitors. Fits 100x100mm and 75x75mm

### Standard Features

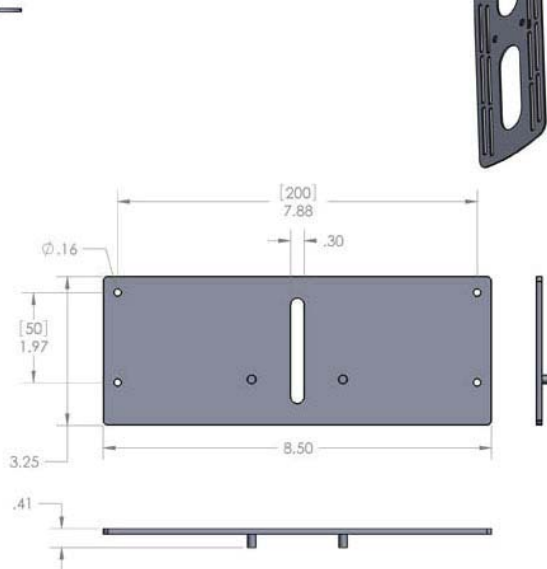
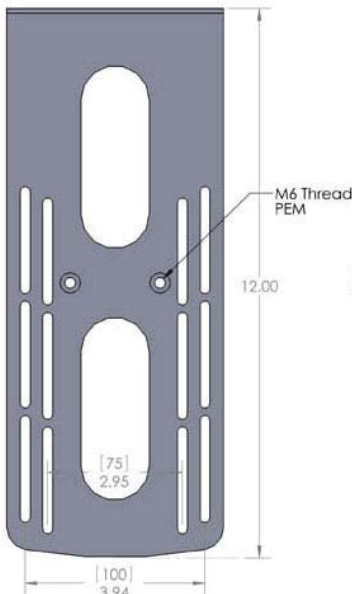
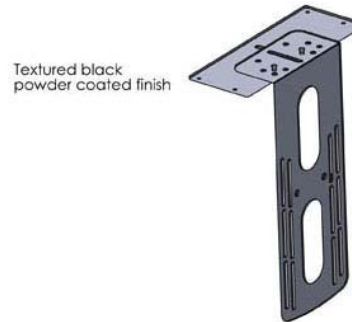
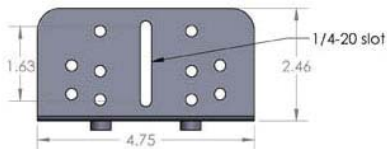
- Sturdy steel construction
- Scratch resistant powder coat finish
- Height adjustment for different size monitors
- Includes plate for wider cameras such as \*EagleEye™
- Designed for 19" - 25" displays (100mm X 100mm max), but will accommodate some 17"



### Specifications

**Model:** MCB1925  
**Width:** 4-3/4"  
**Depth:** 2-1/2"  
**Height:** 12"

### Color



The information contained in this drawing is the sole property of Audio Visual Furniture International. Any reproduction in part or as a whole without the written permission of Audio Visual Furniture International is prohibited. AVFI can build or modify stock configurations to suit customer specifications. Please contact us to discuss how this service can help meet your needs. Some quantity restrictions may apply. Specification subject to change without notice. Computers, cameras, monitors, etc. are shown to illustrate product usage and are not included unless otherwise noted. \*Polycom® and EagleEye™ are registered trademarks of Polycom of Pleasanton, California