

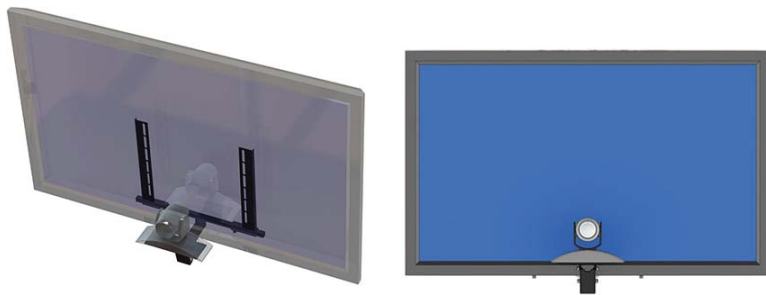
CBB-TV Camera Bracket



CBB-TV camera bracket for placing camera below or in front of TV. It works with all our mounts or it can be mounted to wall. It can sandwich between universal wall mounts and TV (Any manufacturer). CBB-TV features adjustable camera height for different size TV's from 26" - 80" (Up to 600mm wide hole pattern)

Standard Features

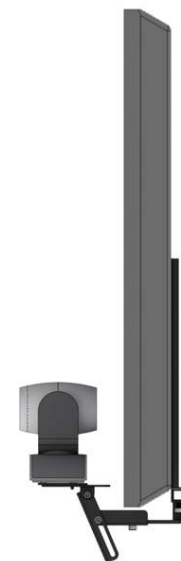
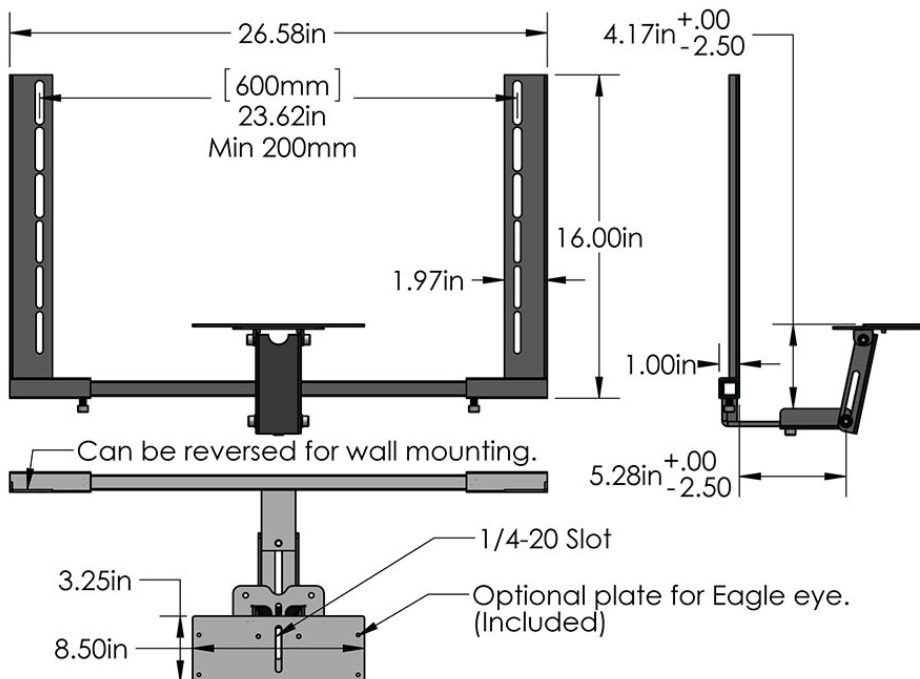
- Sturdy 11 Ga steel construction
- Accommodates 26" - 80" TV's
- Works with all our TV mounts or can be mounted directly to wall
- Can sandwich between universal wall mounts and TV (Any manufacturer)
- Fits most cameras including wide HD cams (*EagleEye™)
- Camera height adjustable for different TV and camera sizes
- Fastening hardware included
- Black powder coated finish



Specifications

Model: CBB-TV
Width: 21"
Depth: 10"
Height: 17-3/4"

Color



The information contained in this drawing is the sole property of Audio Visual Furniture International. Any reproduction in part or as a whole without the written permission of Audio Visual Furniture International is prohibited. AVFI can build or modify stock configurations to suit customer specifications. Please contact us to discuss how this service can help meet your needs. Some quantity restrictions may apply. Specification subject to change without notice. Computers, cameras, monitors, etc. are shown to illustrate product usage and are not included unless otherwise noted. *Polycom® and EagleEye™ are registered trademarks of Polycom of Pleasanton, California