

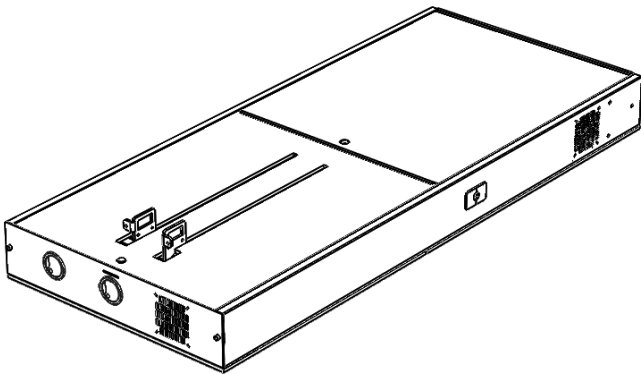
LFT7000 wheeled stand

Thank you for purchasing AVFI's LFT7000 mobile Stand.
 This stand is designed for TV setups totaling up to 280lbs.
 Confirm all hardware is included before you begin assembly.
 Read these instructions start to finish before beginning installation.

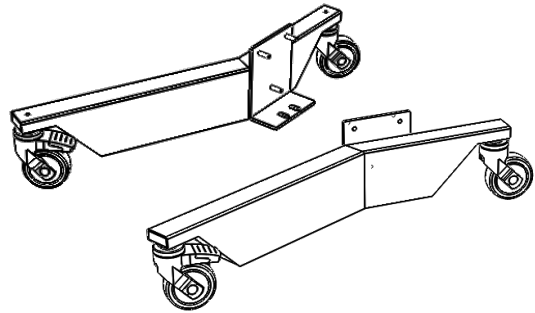
Note: If you cannot understand these instructions or are concerned about safety of the installation contact a qualified contractor or contact AVFI at 1-877-834-3876.



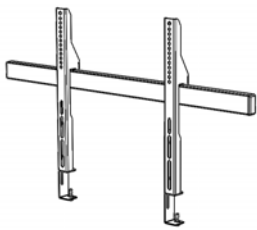
Supplied Parts



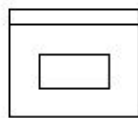
Tower
Box 1



Left and Right Bases
Box 2



TV Brackets
S (shown)/XL/D
Box 3+ Tube



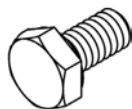
TV Hardware bag
x2 if dual mount

Not all hardware supplied will be used.

Supplied Hardware (additional to hardware bags)



M8 X 40
(4)



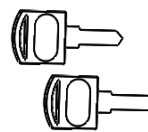
1/2 X 1
(2)



M8 Nut
(6)



Allen Keys found
In hardware bag



Keys
(6)

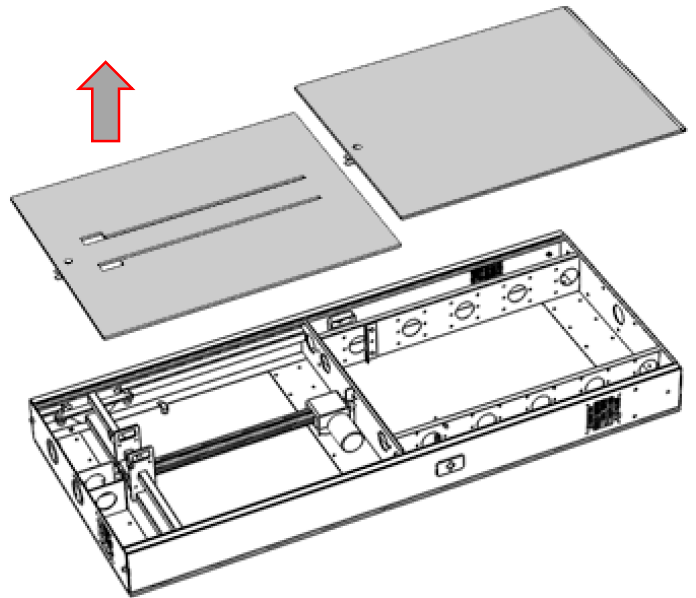
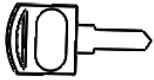
Tools required



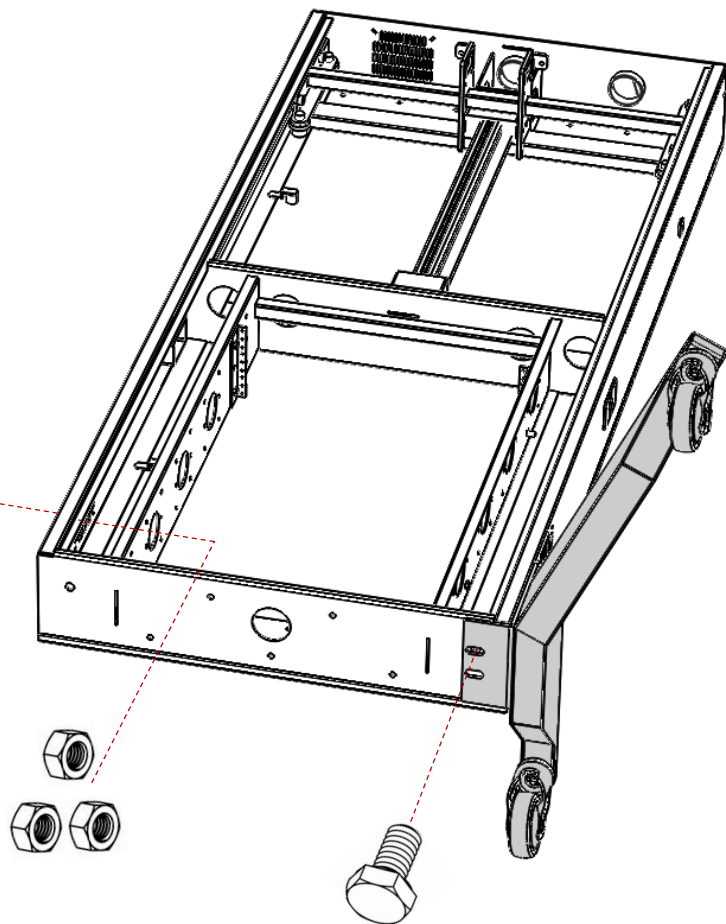
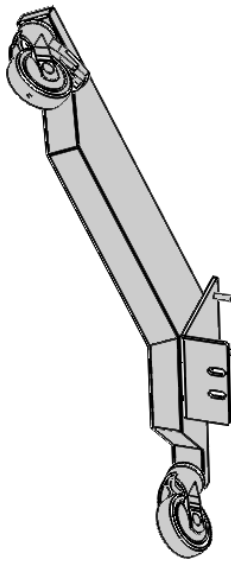
Wrench or Socket set

LFT7000 Stand

1 Unlock and remove front panels.

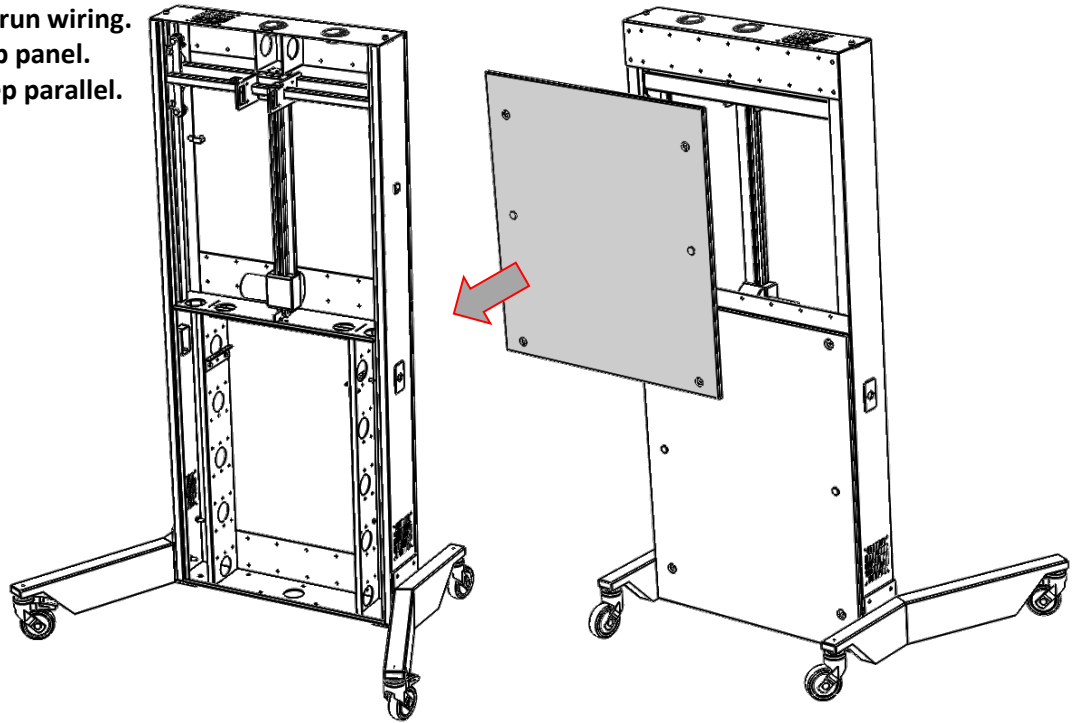
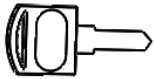


2 Attach legs using
Included nuts and Bolts.
TIP: Attach all fasteners before tightening.

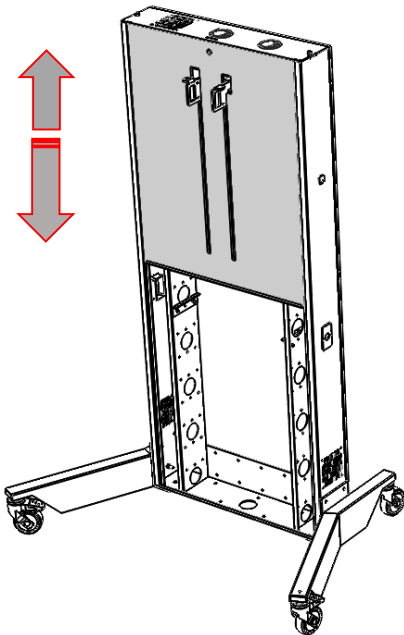


LFT7000 Stand

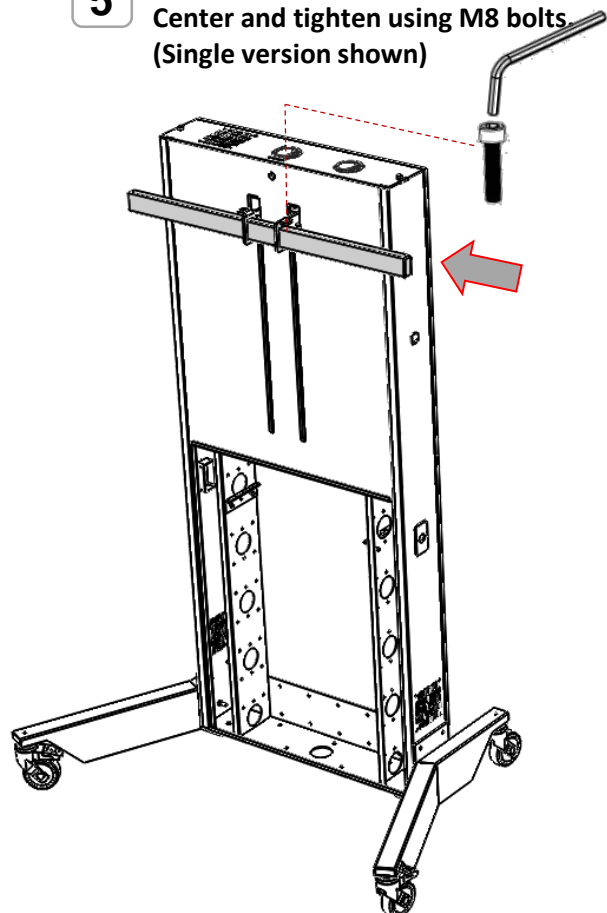
- 3** Install rack equipment and run wiring.
Unlock and remove rear top panel.
Pull panel straight out, keep parallel.



- 4** Plug in and test run unit up and down.
Then install and lock front top panel.

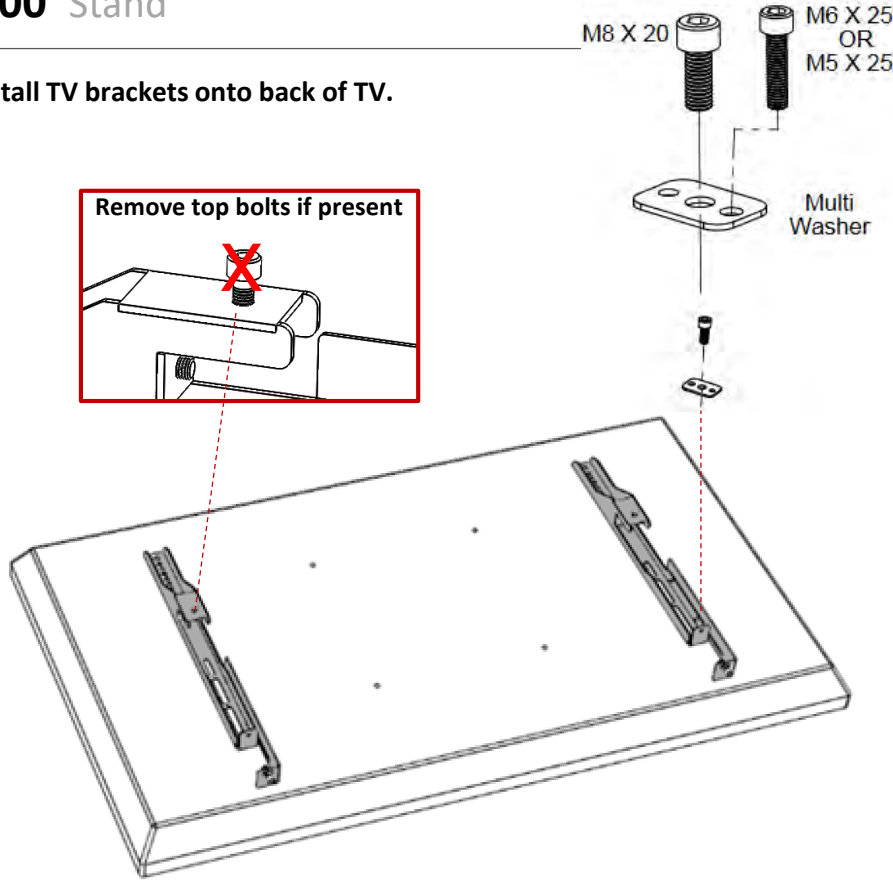


- 5** Insert Tube into carriage openings.
Center and tighten using M8 bolts.
(Single version shown)

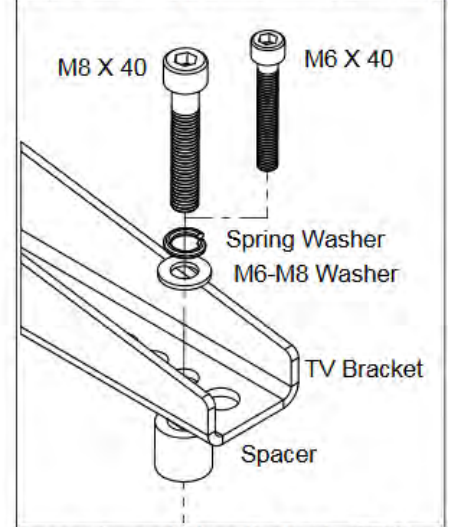


LFT7000 Stand

6 Install TV brackets onto back of TV.

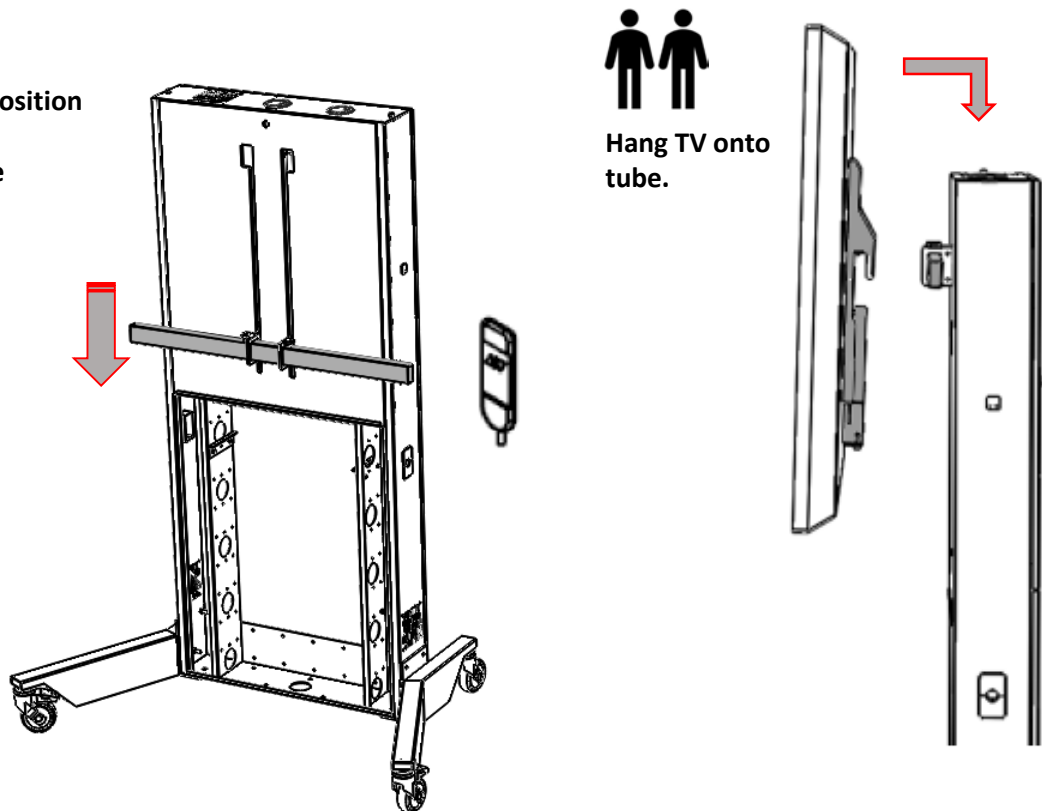


Optional Spacer mounting



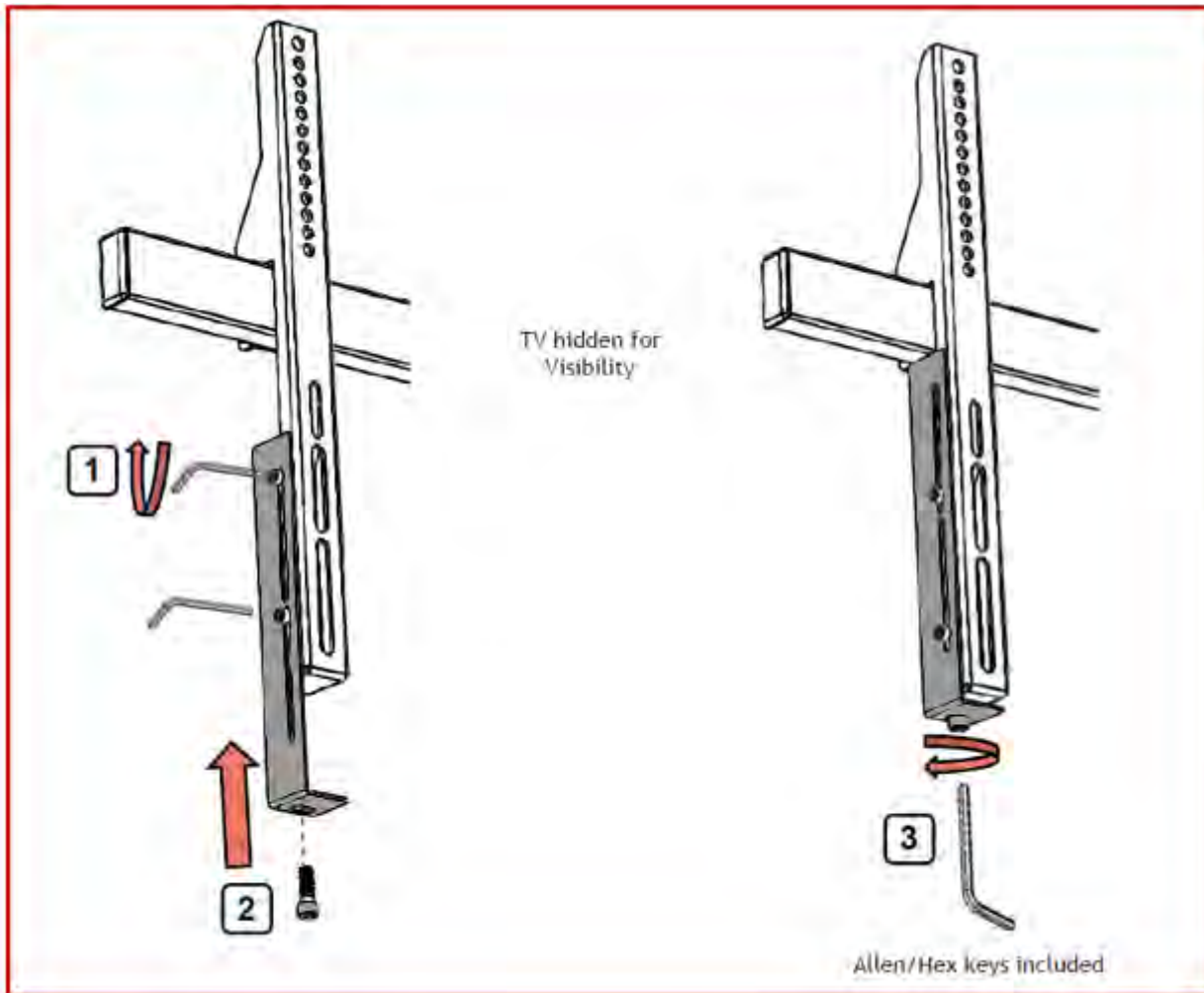
Spacer is used when the back of TV is not flat or the mount holes are sunk into the back of the TV. (Rarely used)

7 Lower to bottom position
To hang TV.
See step 8.1 before
proceeding.



LFT7000 Stand

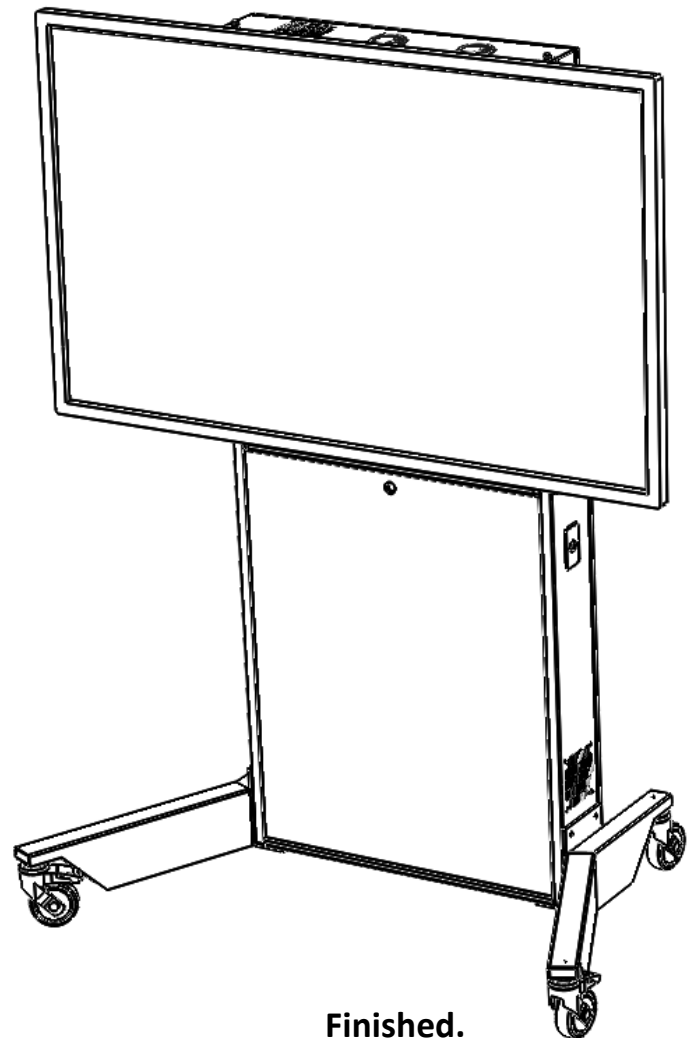
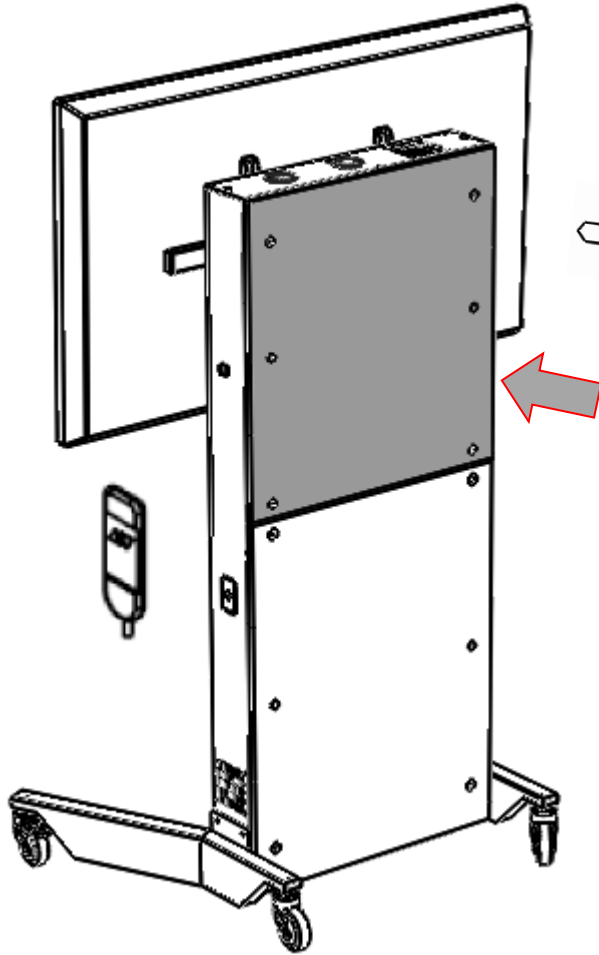
8 Lock TV onto tube.



- 1** Its easier to do this step before hanging TV.
Tighten both side bolts with Allen key until snug but bracket still slides up/down.
- 2** After hanging TV.
Slide bracket up and hand tighten M8 bolt from bottom.
- 3** Tighten M8 bolt with Allen key until bracket is secure. (TV cannot be lifted or slide sideways)

LFT7000 Stand

- 9** Confirm all cable clearances when moving up and down. Reinstall and lock rear panel.



Finished.