

The **LE222** is a modern style lectern with a singular slim yet sturdy design, made out of silver finish metal and highly resistant thermowrap panels.

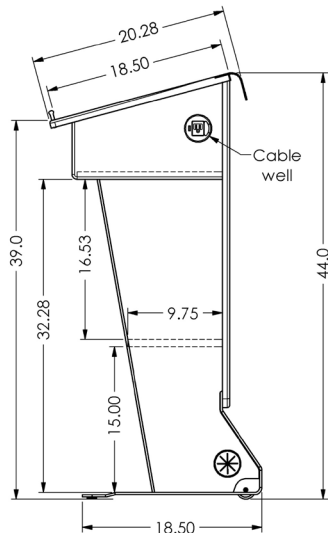
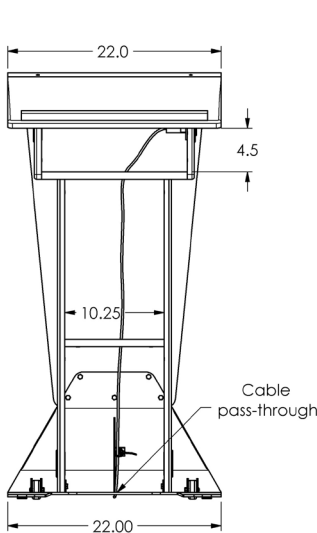
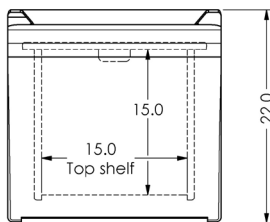
This lectern is mobile and offers a large reading surface with pen/paper stop, shelf compartments and a cable well on the right side for power and USB connection.

Standard Features

- Large 22" W x 18.5" D work surface
- Shelf compartments for document storage
- Front wheels for easy maneuvering
- Silver metal with highly resistant thermowrap finish
- 1 Round cable well for power and USB connection
- Ships assembled

Options

- **MIC-18** MX418C Shure Gooseneck microphone
- **LIGHT-18** Littlite Gooseneck
- **FM3** Count down timer/ clock
- **PB** Six outlet power bar with 10 ft. Cord
- **PC-PATCH** 2x 110AC, RJ45, Phone, 2x USB
- **SF-PB3** Surface mounted 3-outlet 120V power bar
- **CUB3** Round cable well
- **CUB4** Black-B/Silver-S Power Panel
- **CUB5** Round cable well (Black or Silver)
- **CHLD245** Cup Holder (Installs under top shelf)
- **CUSTOM CUTOUT** Cutouts for electronics or other items specified by the customer.



Specifications

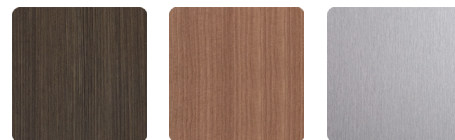
Model: LE222

Width: 22"

Depth: 22"

Height: 44"

Finishes:



Other finishes are available. Check website.

The information contained in this drawing is the sole property of Audio Visual Furniture International. Any reproduction in part or as a whole without the written permission of Audio Visual Furniture International is prohibited. We can build or modify stock configurations to suit customer specifications. Please contact us to discuss how this service can help meet your needs. Some quantity restrictions may apply. Specification subject to change without notice. Computers, cameras, monitors, etc. are shown to illustrate product usage and are not included unless otherwise noted.