



Integrated Swivel in & out Cup Holder

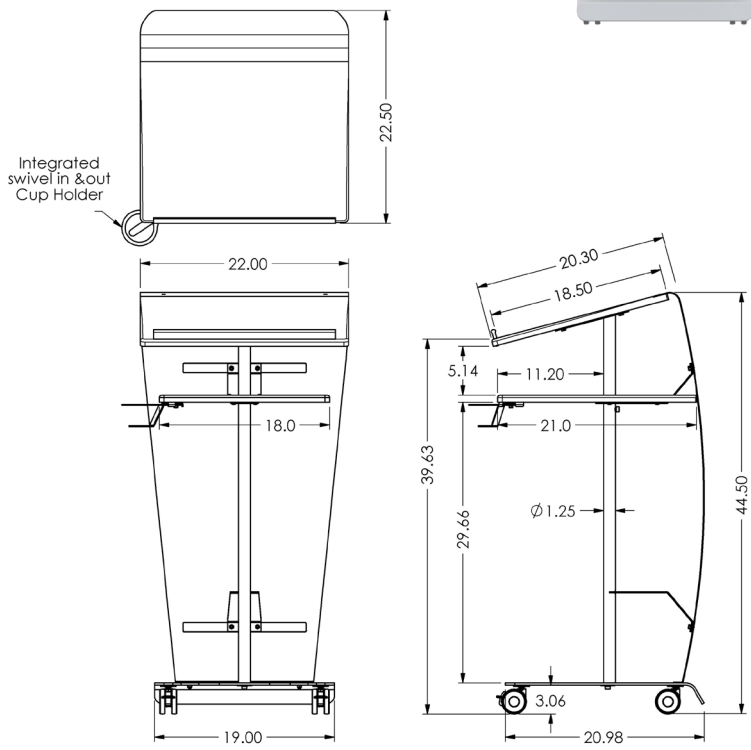
An exclusive mobile design is the **LE224** lectern. It will add a modern flair to any presentation whether you're in a classroom or a meeting room. The main frame is made out of silver finish metal with highly resistant thermowrap finish on top and shelf panels.

Standard Features

- Large 22" W x 18.5" D work surface
- Shelf for documents and supplies
- Heavy-duty casters for easy maneuvering (2 locking)
- Silver metal with highly resistant thermowrap finish
- Integrated Swivel in & out Cup Holder **CHLD245**
- Ships assembled

Options

- **MIC-18** MX418C Shure Gooseneck microphone
- **LIGHT-18** Littlite Gooseneck
- **FM3** Count down timer/ clock
- **PB** Six outlet power bar with 10 ft. Cord
- **PC-PATCH** 2x 110AC, RJ45, Phone, 2x USB
- **SF-PB3** Surface mounted 3-outlet 120V power bar
- **CUB3** Round cable well
- **CUB4** Black-B/Silver-S Power Panel
- **CUB5** Round cable well (Black or Silver)
- **CUSTOM CUTOUT** Cutouts for electronics or other items specified by the customer.



Specifications

Model: LE224
Width: 22"
Depth: 22.5"
Height: 44.5"

Finishes:



Other finishes are available. Check website.

The information contained in this drawing is the sole property of Audio Visual Furniture International. Any reproduction in part or as a whole without the written permission of Audio Visual Furniture International is prohibited. We can build or modify stock configurations to suit customer specifications. Please contact us to discuss how this service can help meet your needs. Some quantity restrictions may apply. Specification subject to change without notice. Computers, cameras, monitors, etc. are shown to illustrate product usage and are not included unless otherwise noted.