

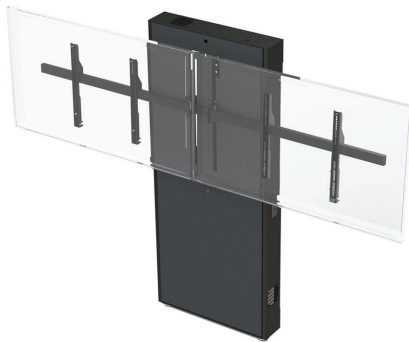
TP4000WM-S



TP4000WM-XL



TP4000WM-D



TP4000WM-CS55



TP4000WM-CS70



The **TP4000WM** heavy duty wall anchored stand with multiple display configuration options. While anchored to a wall, it's designed to keep the weight of unit and display on the floor. Internally it features vertical 3U rack rails behind the bottom locking panel. Cable channel and ventilation. **Requires fastening to stud or masonry wall.**

Standard Features

- TV bracket height set during setup. 20" range
- Includes wall anchoring hardware for masonry and stud walls
- Removable locking front panels with wiring channel inside main pillar
- Scratch resistant powder coat finish
- Black metal frame with Shark Grey-SGT panel color
- Single, XL, Dual displays mount choices. (280lb max load)
- 3U vertical rack inside

Mount Choices

- **Single:** 1x 40"-70" display
- **XL:** 1x 65"-90+" display
- **Dual:** 2x 42"-70" displays
- **CS55:** 1x Cisco Spark Board 55
- **CS70:** 1x Cisco Spark Board 70

Specifications

Model: TP4000WM-S/XL/D/CS55/CS70

Width: S-35"/XL-53"/ D-84"

Depth: 9"

Height: 70"

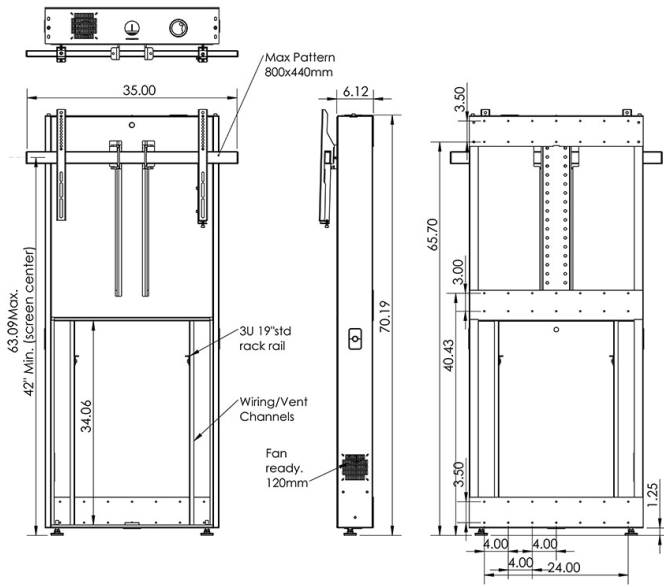
Weight Capacity: 280 lbs (127 kg) display total

Finish: Black metal frame + Shark Grey-SGT panel color

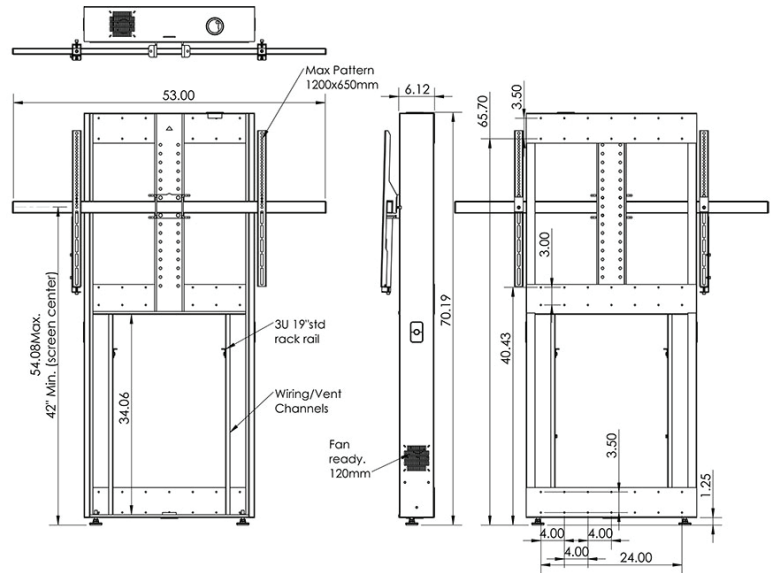
Options

- **PB** Six outlet power bar with 10 ft. cord
- **TVCB** Camera bracket (32"-55" TV's)
- **TVCB-XL** Camera bracket (56"-90" TV's)
- **CBB-TV** Under TV camera bracket (26" - 80" TV's)
- **BKT-ROOM** Cisco Room & Room Plus camera bracket (using TVCB)
- **BKT-QUADCAM** Camera Bracket (using TVCB)
- **RR3** Additional 3U rack rails
- **FAN** 120mm AC Cooling Fan

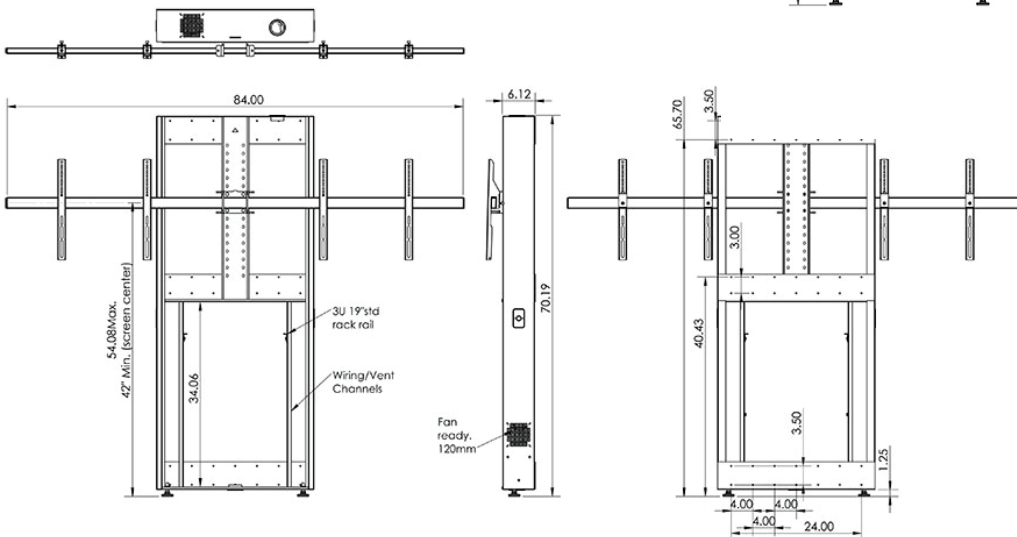
Dimensional Drawings



TP4000WM-S



TP4000WM-XL



TP4000WM-D

The information contained in this drawing is the sole property of Audio Visual Furniture International. Any reproduction in part or as a whole without the written permission of Audio Visual Furniture International is prohibited. We can build or modify stock configurations to suit customer specifications. Please contact us to discuss how this service can help meet your needs. Some quantity restrictions may apply. Specification subject to change without notice. Computers, cameras, monitors, etc. are shown to illustrate product usage and are not included unless otherwise noted.