

Date _____
 AVFI Sales REP _____
 Customer Signature _____

Quote No. _____
 Customer No. _____
 AVFI No. _____

Office Use Only

To generate your order form, please refer to the information provided below to insert the alphabetic and/or numeric code in the respective category boxes. Please note that without this filled out Order Form, your purchase **cannot** be processed.

1	2	3	4	5	
Product Model	Bridge Size	Finish	Chargeable Accessories (One Code Per Box)	Mount	Custom Cutouts
VC-TABLE T4					

1 Product Model



Code **VC-TABLE T4**

Choose Bridge Size

Code **A** 36" bridge
 Code **B** 49-1/4" bridge
 Code **C*** Custom size bridge _____ (Specify desired size in inches)
 *Custom cutout charge will apply for custom lengths.

2 Choose Product Finish

Standard Finishes



4 Choose PM2 Mount Size (Single or XL)

L6 Single Kit Mount (1x 37"-60" Monitors/200 lbs max)
L8 XL Kit Mount (1x 65"-90" Monitors/200 lbs max)

3 Chargeable Accessories (Check all that apply)

- Code **00** No Accessories
- Code **B1 9031-1** 1U Utility Metal Shelf Qty _____
- Code **B2 9031-2** 2U Utility Metal Shelf Qty _____
- Code **B3 9031-3** 3U Utility Metal Shelf Qty _____
- Code **B4 9041** Sliding Metal Shelf Qty _____
- Code **B5 9052-2** 2U Sliding Metal Drawer Qty _____
- Code **B6 9052-3** 3U Sliding Metal Drawer Qty _____
- Code **E1 PB** 6 Outlet Power Bar Qty _____
- * Code **E3 CUB3** Round Cable Well Qty _____
- * Code **E4 SF-PB3** 3 Outlet Power Bar Qty _____
- * Code **E5 CUB5** Black Round Cable Well Qty _____
- * Code **E6 CUB5** Silver Round Cable Well Qty _____
- * Code **E8 CUB8** Table Top Cable Well Qty _____
- * Code **EA CUB4S** Silver Power Panel Qty _____
- * Code **EB CUB4B** Black Power Panel Qty _____
- * Code **EC CHGQIW** Wireless Charging Station White Qty _____
- * Code **EF CHGQIB** Wireless Charging Station Black Qty _____
- ** Code **ED CHGQI-DNGL** Dongle Lightning Qty _____
- Code **J1 9107** Lacing Bar Qty _____
- Code **K3 PLM1022** Monitor Mount Qty _____
- Code **M4 CBB-TV** Camera Bracket Qty _____
- Code **M6 TVCB** Camera Bracket Qty _____
- Code **M9 CS** Camera/Codec Bracket Qty _____

Comments (Please use this section to provide additional information)

Notes

CAD Drawings/Symbols

CAD drawings are available by request at sales@vegroup.net

Custom Cutouts

Estimated lead time within 20 business days from receipt of P.O. and signed drawings.

Customizations

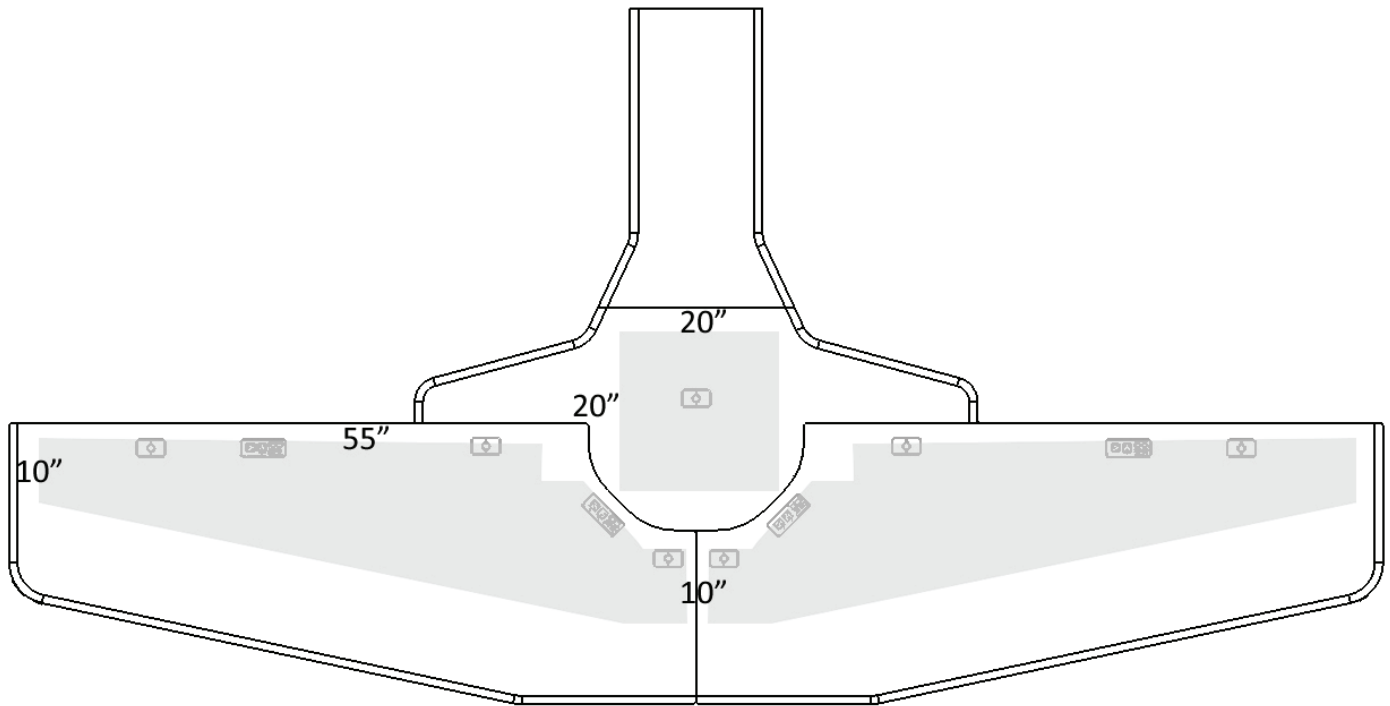
Modifications to design such as shape and/or size variations have to be quoted on a per case basis and are applicable for quantities of 10+ only.

* **Cutout Required** (Extra Charges will apply)
 ** Requires **CHGQIW/B** accessory

Custom Cutout Option on Page 2

Please indicate custom cutout location on the drawing(s) below

5 Custom Cutout Option (Extra charges will apply)



Code **CO** No Custom Cutout

Code **CC** Custom Cutout (Specify on Cutout Area Above)

Cutout Area