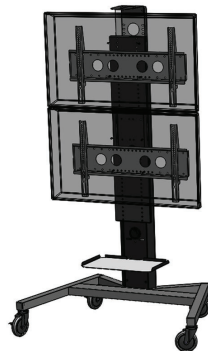




PM-XFL-S



PM-XFL-D



2x 43" TV's shown at table height.
55" max size for this configuration

The **PM-XFL** is a heavy duty wheeled stand with adjustable 6 position shelf for media players, cable or satellite receiver, video conference codecs or audio amplifier. This mount accommodates single XL or dual displays (265 lbs max).

- Single XL - Max TV VESA hole location - 1100mm W X 650mm H
- Dual - Max TV VESA hole location - 700mm W X 440mm H

Standard Features

- Single XL or Dual display mount choices
- Sturdy 11 Ga steel construction
- Base is heavy duty steel tube construction
- Scratch resistant powder coat finish
- 5" metal ball bearing casters, non-marking wheels and dustguards, 2 are locking
- Wiring channel inside main pillar
- Adjustable height camera mount during setup
- Adjustable TV bracket height during setup
- Includes one shelf 18" W x 11.5" D

Mount Choices

- **Single XL:** 1x 60" - 90+" display
- **Dual:** 2x 40" - 70" displays

Specifications

Model: PM-XFL-S/ PM-XFL-D

Width: Single XL-46"/ D-84"

Depth: 29.5"

Height: 65"

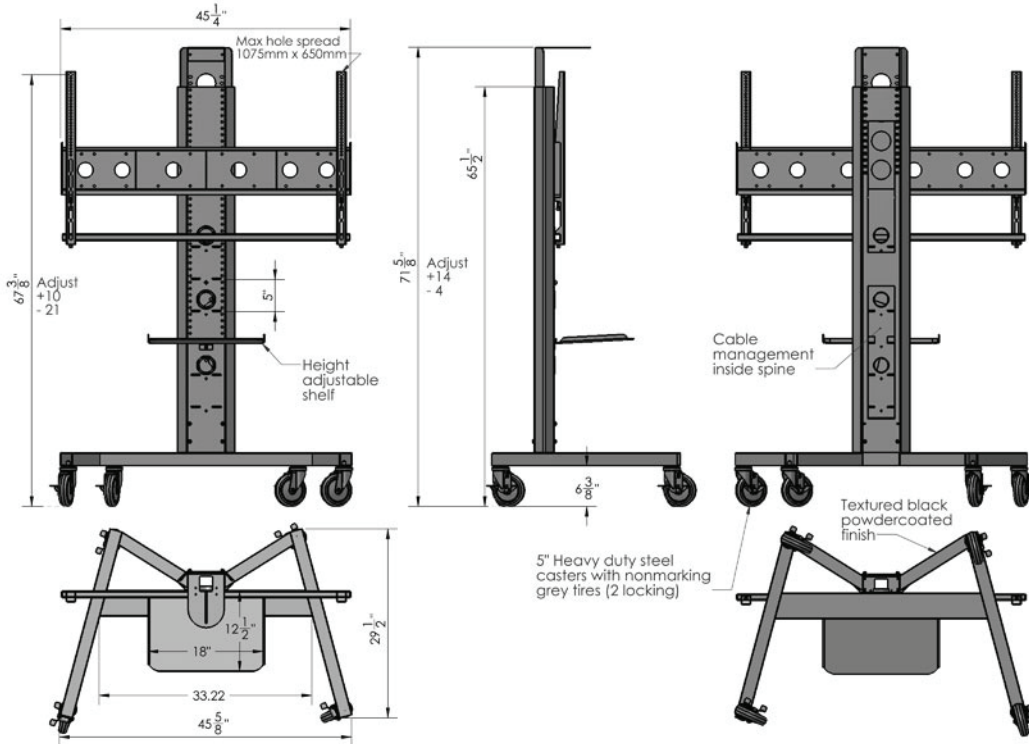
Weight Capacity: 265 lbs (120 kg) display total

Color: Black powder coat

Options

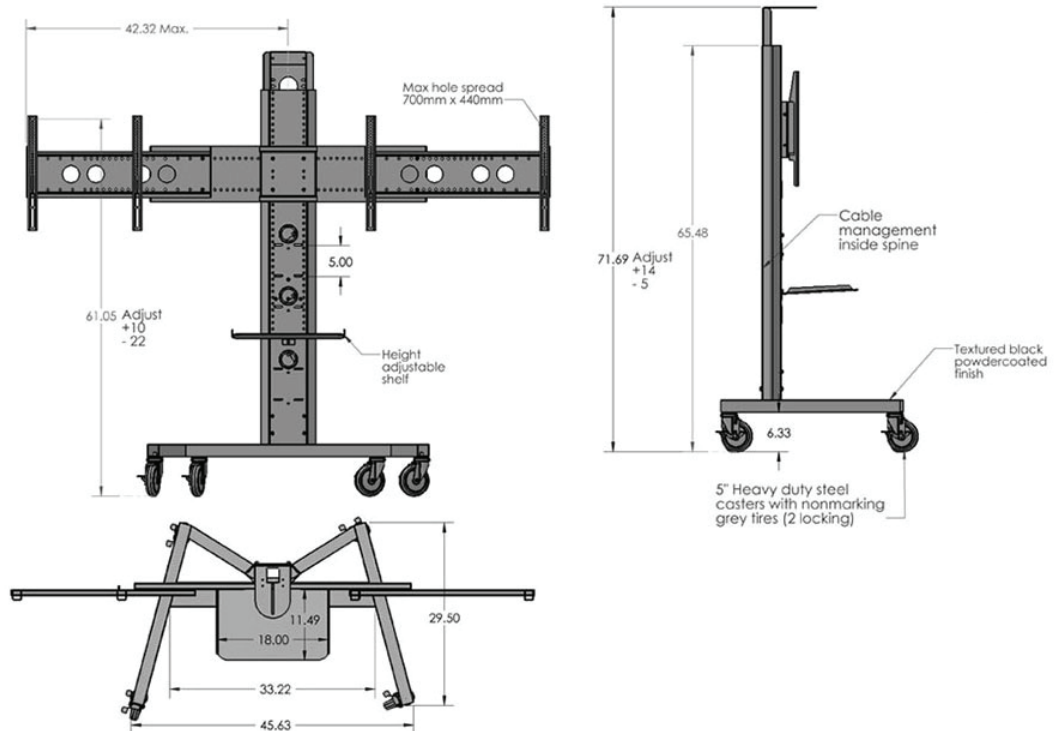
- **LB3** Lockbox for codecs/electronics
- **PM-CMP** Camera mounting plate (Required with *EagleEye™)
- **PM-CAM** For mounting camera below TV
- **PM-HDCB** HD Codec bracket
- **PM-HD-EXP** LifeSize® Express™ 200/220 bracket
- **PM-PB** Mounted six outlet power bar with 10 ft. cord
- **SBB** Sound bar bracket
- **PM-2RU** 2U bracket
- **CBB-TV** Under TV camera bracket (26" - 80" TV's)
- **BKT-MCM** Mac mini bracket
- **BKT-ROOM** Cisco Room & Room Plus camera bracket
- **BKT-QUADCAM** Camera Bracket
- **BKT-ST60** Cisco SpeakerTrack60 Camera bracket
- **BKT-C20** C20 codec bracket
- **BKT-SX20** SX20 Codec bracket
- **SH-PM** Additional shelves (up to 6 total)
- **SYZ3** Laptop shelf
- **PM-BKT-S** Additional TV bracket for rear or below main TV
- **PM-PC-BKT** Codec/PC bracket
- **PM-DSH** Work surface with side handles
- **M38L** 4x Levelers for non-mobile applications
- **PM-XFL-LIFT** alternate unit with motorized lift capability

PM-XFL Dimensional Drawings



PM-XFL-S

PM-XFL-D



The information contained in this drawing is the sole property of Audio Visual Furniture International. Any reproduction in part or as a whole without the written permission of Audio Visual Furniture International is prohibited. We can build or modify stock configurations to suit customer specifications. Please contact us to discuss how this service can help meet your needs. Some quantity restrictions may apply. Specification subject to change without notice. Computers, cameras, monitors, etc. are shown to illustrate product usage and are not included unless otherwise noted.