



The Tech series monitor cart model **C2736** is truly an all-in-one unit that will accommodate single 37" to 60" monitors using the optional PM2-S mount, single XL 60" to 90" monitors using the optional PM2-XL mount or dual 42" to 70" monitors using the optional PM2-D mount. Tech Series carts have a super wide wheel base that provides an extra measure of safety for heavy or oversized monitors, etc.

Standard Features

- Highly resistant black melamine furniture grade laminate
- Rear door for easy access to equipment stored inside
- Two rear panel cable access slots
- Capable of supporting 500 lbs (225 kg)
- 4x 4" heavy duty casters for easy maneuvering
- Acrylic front doors
- Security locks
- Ships assembled
- Pre-drilled for PM2 mounts

Options

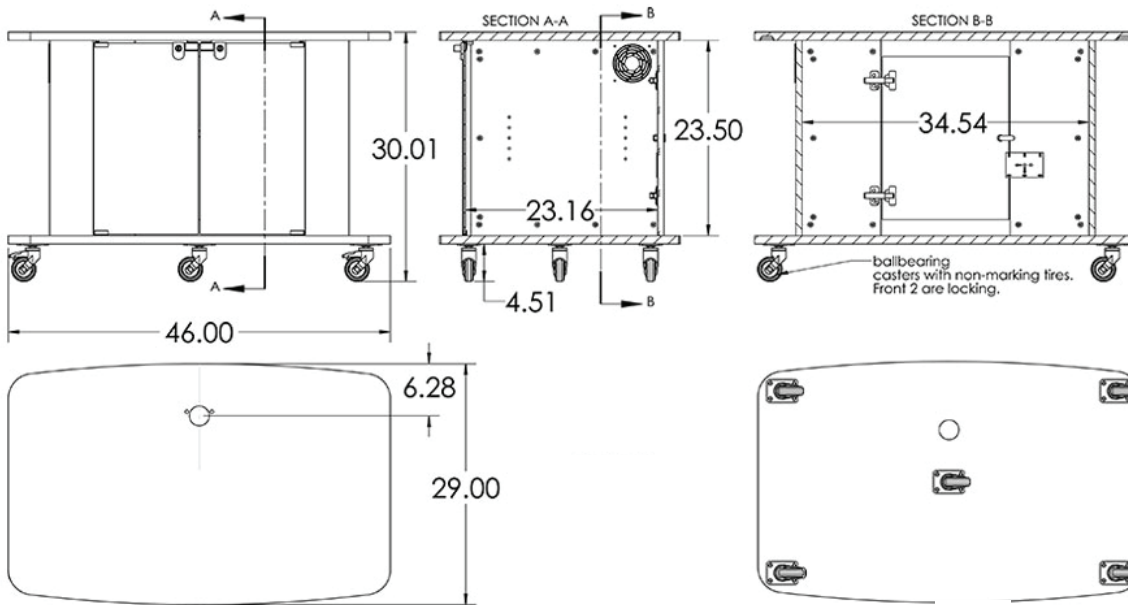
- **PM2-S** Single monitor mount (37"-60"-200 lbs max)
- **PM2-S-XL** Single XL monitor mount (60"-90 -200 lbs max)
- **PM2-D** Dual monitor mount (42"-70" - 200 lbs total max)
- **MM1232** Monitor and camera mount (12" - 32")
- **PB** Six outlet power bar with 10 ft. cord
- **FAN** Quiet cooling fan
- **C900S** 15" - 24" Adjustable monitor arm
- **PM-CMP** Camera mounting plate (Req'd with *EagleEye™)
- **9031** Vented metal shelf
- **9041** Sliding shelf
- **9052** Sliding drawer
- **RMT12** Rack mount frame 12U kit
- **CASTER** 6" Metal caster (2 locking)
- **LEV4AX5** 5x Levelers for non-mobile applications



C2736 + Optional Dual Mount



C2736 + Optional Single XL Mount (Rear)



Specifications

Model: C2736
Width: 46"
Depth: 29"
Height: 30"

Finish



The information contained in this drawing is the sole property of Audio Visual Furniture International. Any reproduction in part or as a whole without the written permission of Audio Visual Furniture International is prohibited. We can build or modify stock configurations to suit customer specifications. Please contact us to discuss how this service can help meet your needs. Some quantity restrictions may apply. Specification subject to change without notice. Computers, cameras, monitors, etc. are shown to illustrate product usage and are not included unless otherwise noted. *Polycom® and EagleEye™ are registered trademarks of Polycom of Pleasanton, California.