

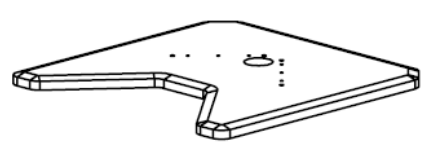
LE4001 Lectern

Thank you for purchasing AVFI's LE4001 Lectern.

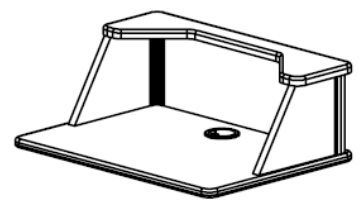
Confirm all hardware is included before you begin assembly.
Read these instructions start to finish before beginning installation.

Note: If you cannot understand these instructions or are concerned about safety of the installation contact a qualified contractor or contact AVFI at 1-877-834-3876

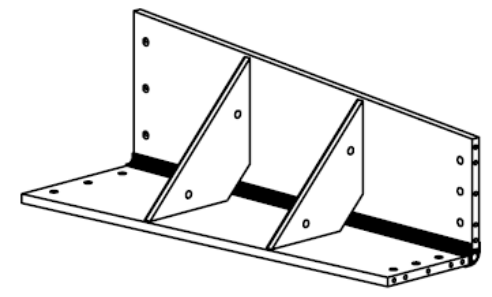
Supplied Parts



Bottom



Top

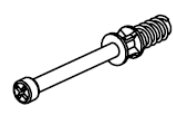


Column

Supplied Hardware:



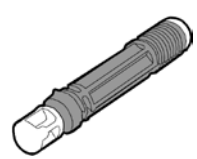
Wood Dowel
(8)



Metal Dowel
(6)

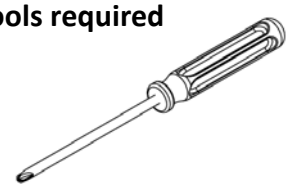


CAM connector
(12)



Expanding
Dowel
(6)

Tools required

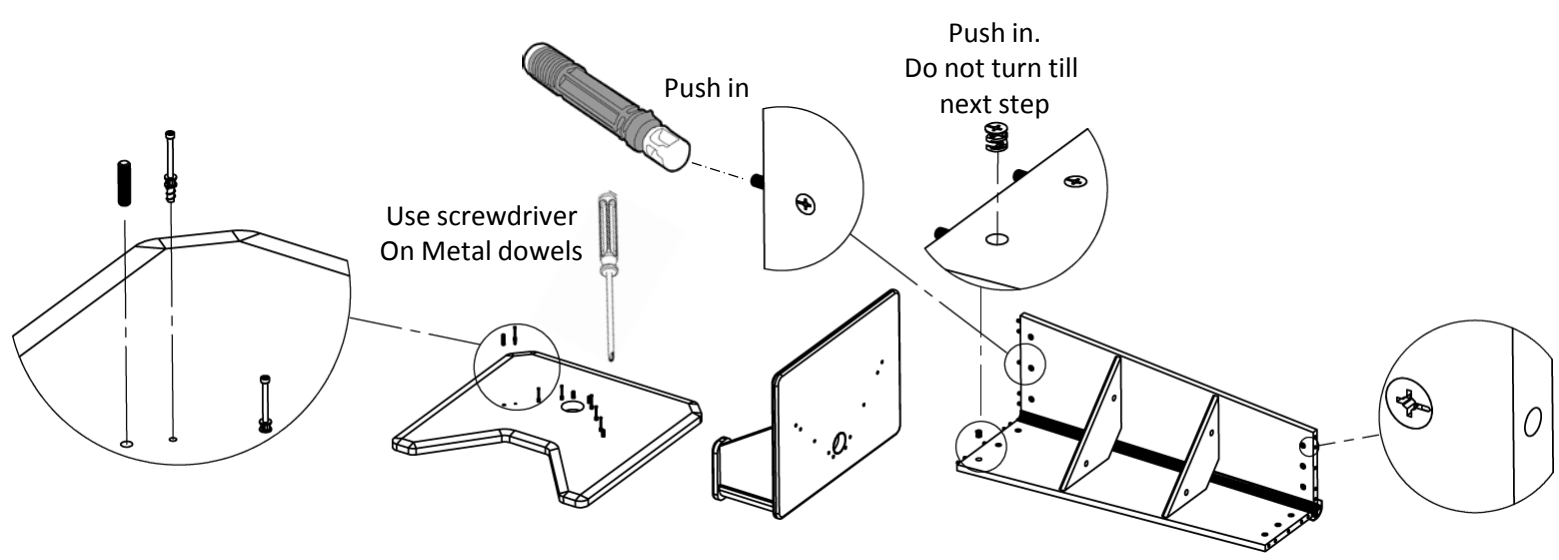


Phillips Screwdriver (+)



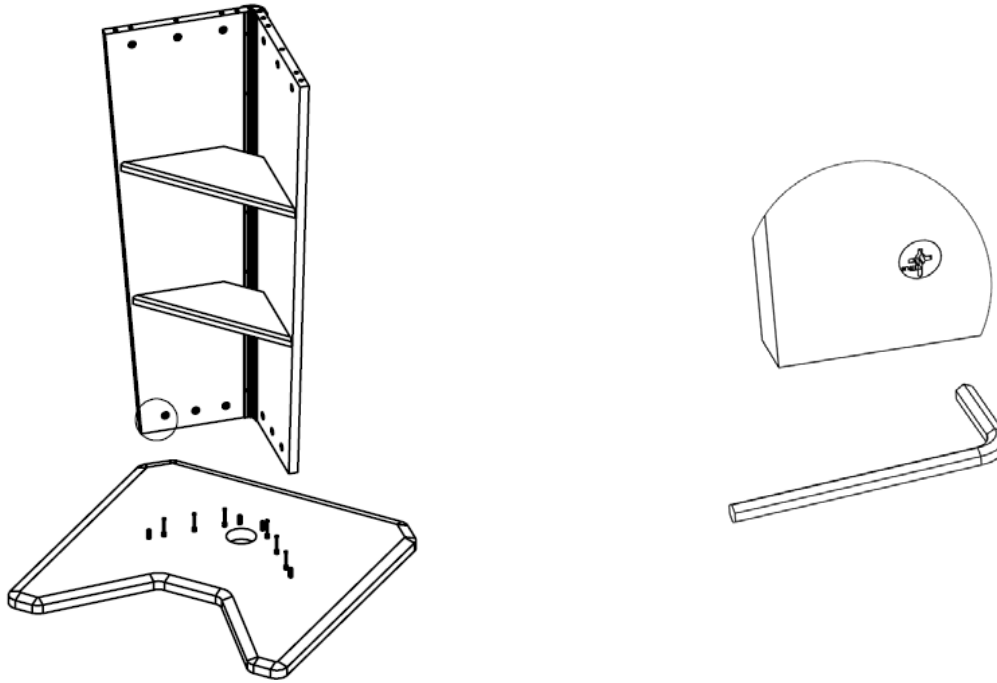
4mm (5/32") Hex key

1 Inserting fasteners:

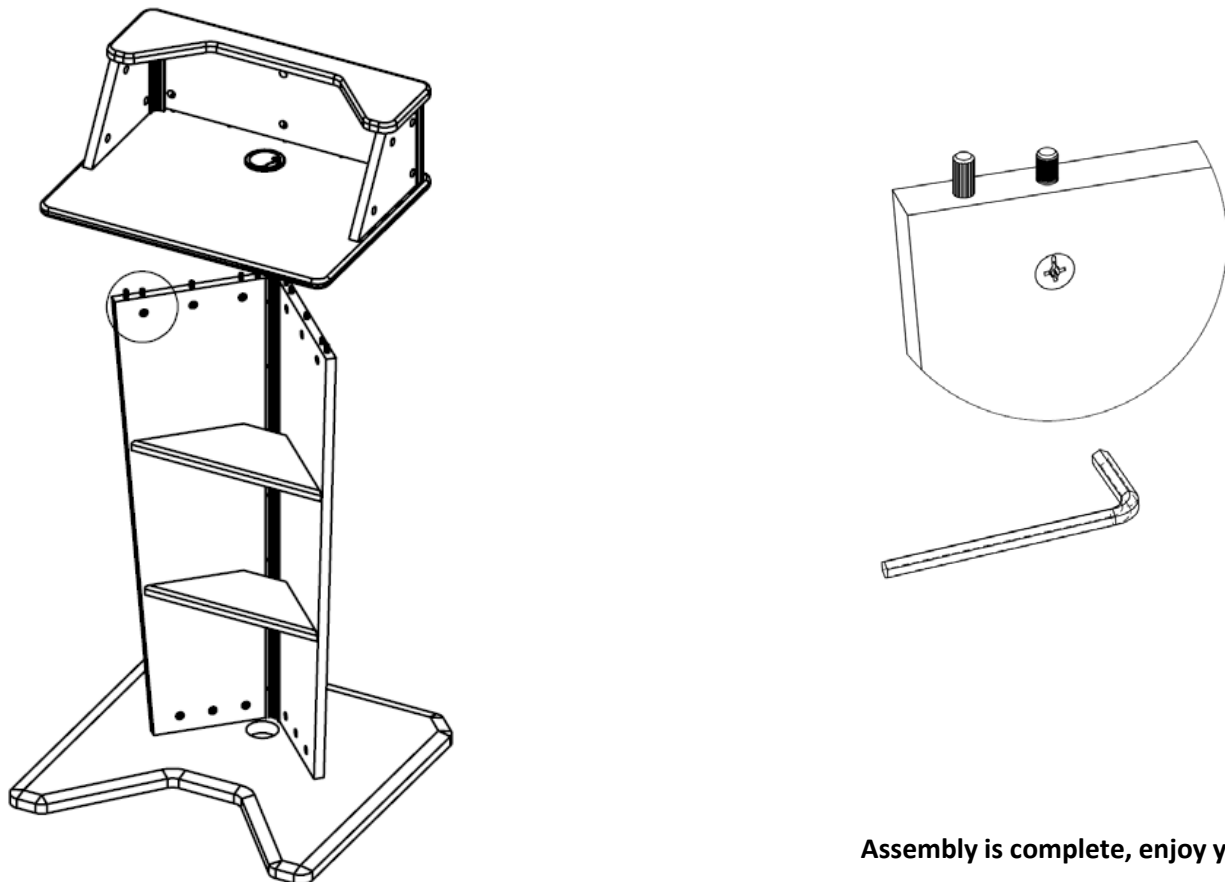


LE4001 Lectern

2 Attach Column to Bottom. Using Hex Key tighten CAM Connectors.



3 Attach Top to Column. Using Hex Key tighten CAM Connectors. Dowels expand.



Assembly is complete, enjoy your lectern.