



PDX21 multimedia executive podium is the ideal solution for distance education, electronic classrooms and corporate training sites.

**Standard Features**

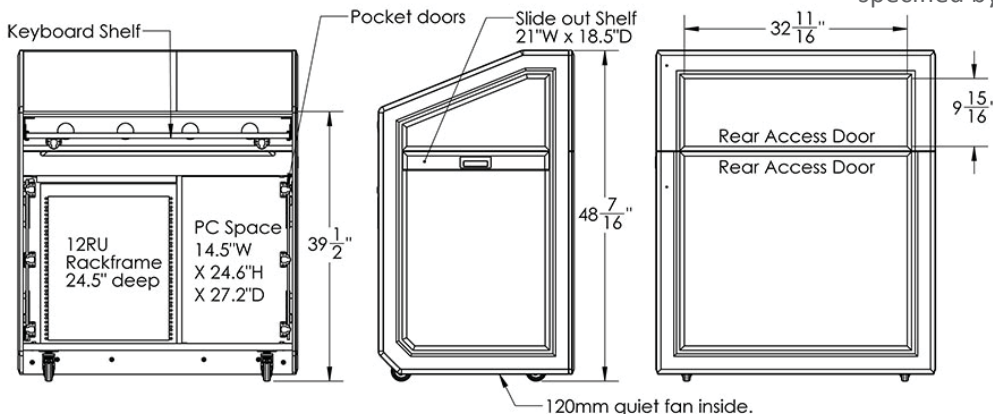
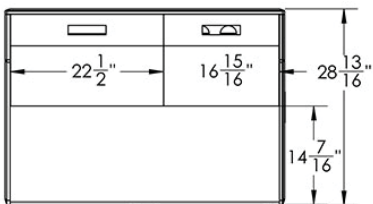
- Flat or wedge top pods with multiple configuration options to suit your interface requirements
- 2 rear doors with hidden locks for access to equipment from audience side as well as a locking keyboard door
- Interior space with 12U 19" rack frame (24.5" Deep)
- Tower PC compartment
- Hide away locking pocket front doors
- Slide-out side shelf
- FAN Quiet cooling 120mm fan
- Heavy duty casters (2 locking)
- Thermowrapped podium with choice of finishes
- Ships assembled

**Options**

- C900S Single adjustable monitor arm
- PLM1022 10" - 24" Monitor mount
- MM1232 12" - 32" Monitor mount
- MCB1925 19" - 25" Monitor/camera bracket
- FM3 Count down timer/clock
- MIC-18 MX418 S/C Shure Gooseneck microphone
- LIGHT-18 Littlite Gooseneck
- PB Six outlet power bar with 10 ft. cord
- PC-PATCH 2x 110AC, RJ45, Phone, 2x USB
- SF-PB3 Surface mounted 3-outlet 120V power bar
- CUB3 Round cable well
- CUB4 Black-B/Silver-S Power Panel
- CUB5 Round cable well (Black or silver)
- CUB8 Table top cable well
- CHGQIW/B Wireless charging station white or black. Only on flat cutout
- CHGQI-DNGL Dongle Lightning, USB Type-C, Micro-USB. Requires CHGQIW/B
- 9031/9041/9052 Utility metal shelves/drawer (Check website)
- DIR9200-10/12 10U/12U Rack module
- RMT12 12U Rack frame kit (Rear)
- 9107 Lacing bar (19" long)
- MAGKEY Additional key for hidden locks
- LEV4AX4 4x Levelers for non-mobile applications
- GRC60 60mm Round grommet. Black-B, white-W & grey-G
- CUSTOM CUTOUT Cutouts for electronics or other items specified by the customer



Dual Wedge/Pod Configuration S



**Specifications**

**Model:** PDX21  
**Width:** 41"  
**Depth:** 30"  
**Height:** 48.5"

**Finishes**



Other finishes are available. Check website.

The information contained in this drawing is the sole property of Audio Visual Furniture International. Any reproduction in part or as a whole without the written permission of Audio Visual Furniture International is prohibited. AVFI can build or modify stock configurations to suit customer specifications. Please contact us to discuss how this service can help meet your needs. Some quantity restrictions may apply. Specification subject to change without notice. Computers, cameras, monitors, etc. are shown to illustrate product usage and are not included unless otherwise noted.