

LEX41 Order Form

Date _____
 AVFI Sales REP _____
 Customer Signature _____

Quote No. _____
 Customer No. _____
 AVFI No. _____

Office Use Only

To generate your order form, please refer to the information provided below to insert the alphabetic and/or numeric code in the respective category boxes. Please note that without this filled out Order Form, your purchase **cannot** be processed.

1	2	3	4
Product Model	Finish	Chargeable Accessories (One Code Per Box)	Custom Cutouts
LEX41			

1 Choose Model Style (Front Panel)



Code **LEX41**

2 Choose Product Finish

Standard Finishes (Ships within 1-15 business days)



Code **RCT**
(River Cherry)



Code **CJT**
(Crossfire Java)



Code **EBT**
(Ebony)

Optional Finishes (Ships within 20 business days)



FMT



HCT



CLT



ART



BRT



ELT



CWT



BAT



SGT

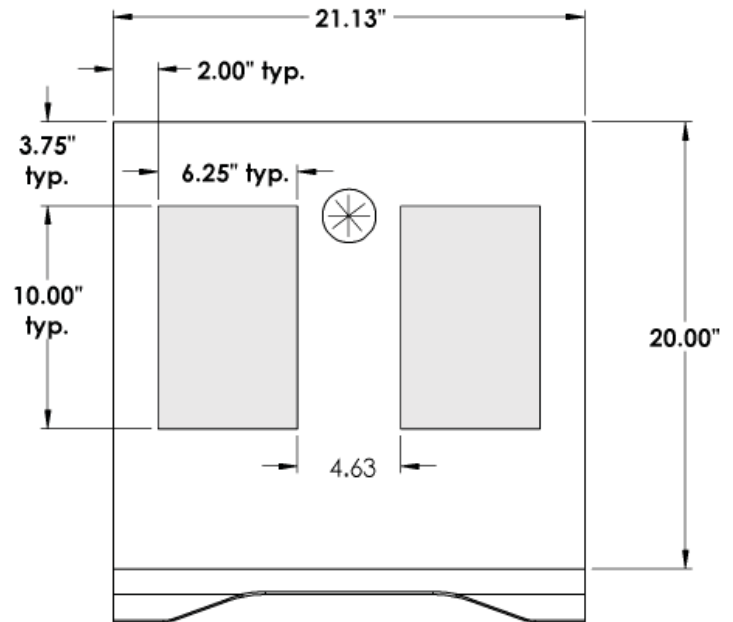
3 Chargeable Accessories (Check all that apply)

- Code **00** No Accessories
- * Code **D1** MIC-18 MX418 S/C MicrophoneQty _____
- * Code **D2** LIGHT-18 Gooseneck LightQty _____
- * Code **D3** FM3 Timer/ClockQty _____
- Code **E1** PB 6 Outlet Power BarQty _____
- * Code **E3** CUB3 Round Cable WellQty _____
- * Code **E4** SF-PB3 3 Outlet Power BarQty _____
- * Code **E5** CUB5 Black Round Cable WellQty _____
- * Code **E6** CUB5 Silver Round Cable WellQty _____
- * Code **E7** PC-PATCH Power-Data ModuleQty _____
- * Code **E8** CUB8 Table Top Cable WellQty _____
- * Code **EA** CUB4S Silver Power PanelQty _____
- * Code **EB** CUB4B Black Power PanelQty _____
- * Code **EC** CHGQIW Wireless Charging Station WhiteQty _____
- * Code **EF** CHGQIB Wireless Charging Station BlackQty _____
- * Code **ED** CHGQI-DNGL Dongle LightningQty _____
- Code **Q1** LEV4AX4 4x Levelers for Non-Mobile Applications.Qty _____

* **Cutout Required** (Extra Charges will apply)
 ** Requires CHGQIW/B accessory

4 Custom Cutout Option (Extra charges will apply)

Please indicate custom cutout location on the drawing below



Code **CO** No Custom Cutout

Code **CC** Custom Cutout (Specify on Cutout Area Above)

Cutout Area (2x - 6.25" W x 10" D)

Notes

CAD Drawings/Symbols

CAD drawings are available by request at sales@vegroup.net

Comments (Please use this section to provide additional information)
