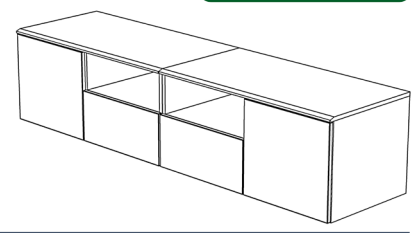


Assembly Instructions

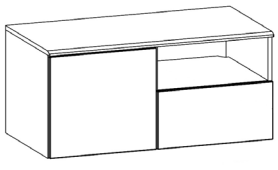
CR4HW Wall Mounted Credenza

This document shows installation of the CR2HWL & CR2HWR Wall Mounted Credenzas. Credenzas can be mounted individually or side by side depending on the application.

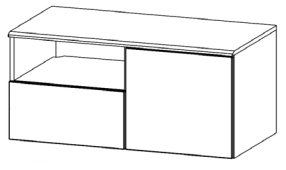
Note: If you cannot understand these instructions or are concerned about safety of the installation contact a qualified contractor or contact AVFI at 1-877-834-3876



Supplied Parts



CR2HWL
Wall Mounted Credenza Left



CR2HWR
Wall Mounted Credenza Right

Supplied Hardware



Washer
(8)



Lag Shield
(8)



Hex Bolt
(8)



Lag Bolt
(8)



Toggle Anchor
(8)

Tools required



Pencil



Stud Finder if Drywall



Power Drill



1/4" (7mm)
drill bit



1/2" (13mm)
Masonry Bit

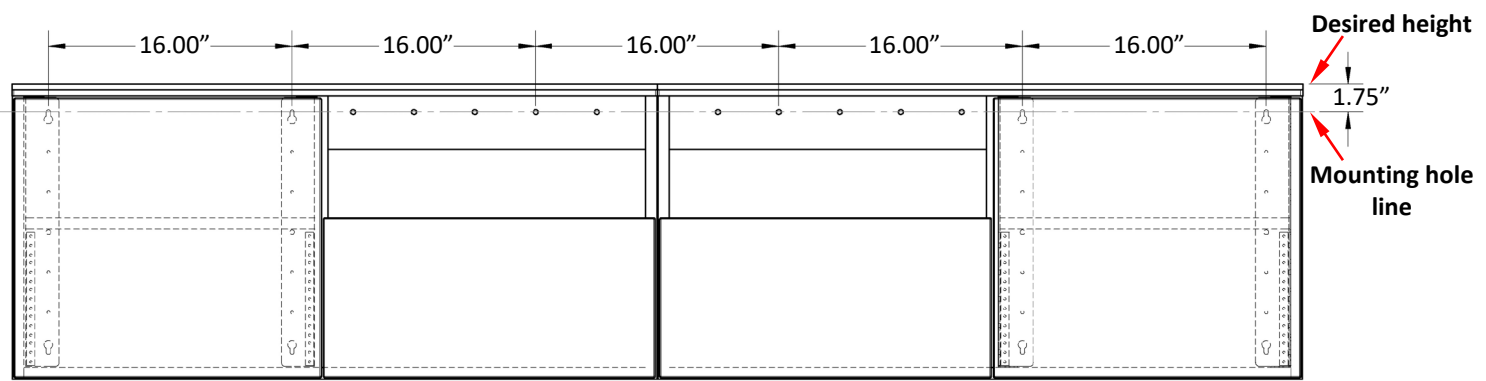


Hammer



7/6" (11mm) Wrench or Socket

1 Credenza's wall mount holes are located 1.75" from top surface panel and spaced 16" on center for Drywall/Stud wall installation. Draw a line or mark the desired height for the top surface panel from floor, draw a second line 1.75" below for mounting holes.

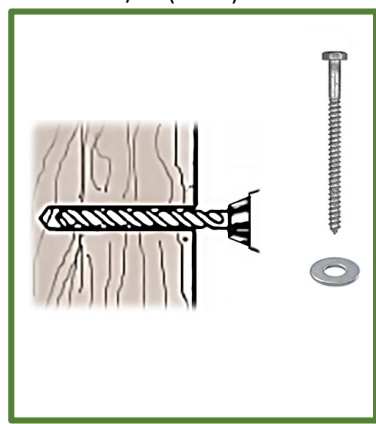


2 Use fasteners provided to attached unit to wall depending on the application. Two people are required to complete the installation.



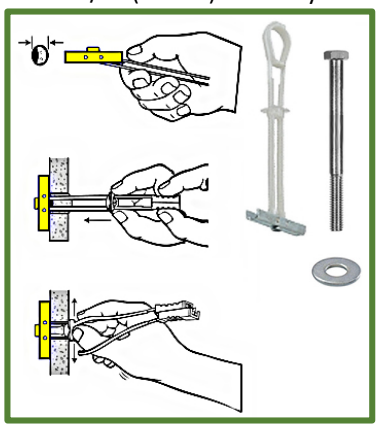
Wood stud

Use 1/4" (7mm) drill bit



Drywall/Steel stud

Use 1/2" (13mm) Masonry bit



Masonry

Use 1/2" (13mm) Masonry bit



Installation completed