

The **PM2-S** mount for single monitors integrates with a fixed credenza or our monitor carts to provide a solid, secure connection creating a portable roll-about video system. Designed for table height installations, this unit features a camera/codec shelf. The mount's hidden cable channel allows cable passage from the camera platform right down into the cart's interior cabinet. This mount accommodates most 37"-60" displays, 200 lbs max. Quicker, easier installation and 8" taller height over previous generation.

Standard Features

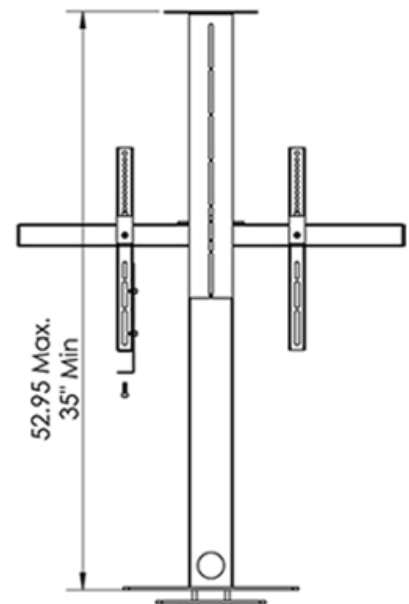
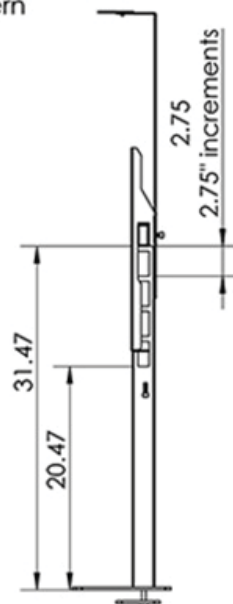
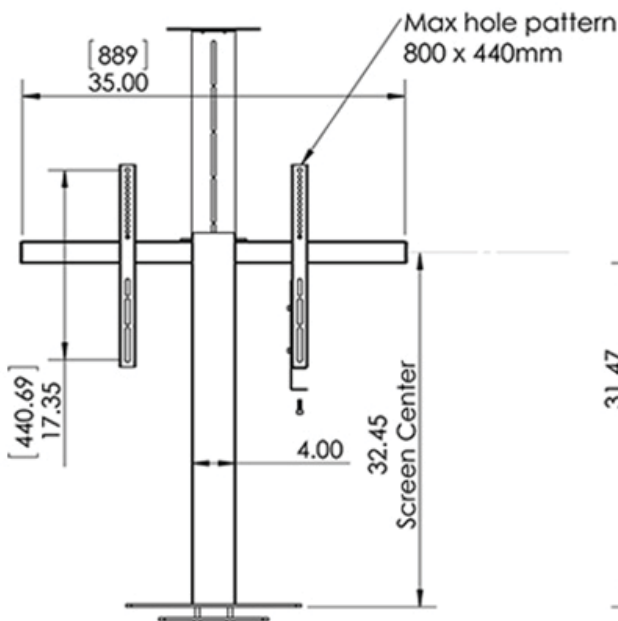
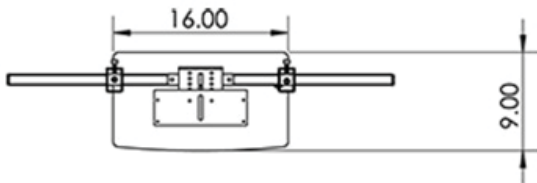
- Accommodates displays up to 60" and 200 lbs.
- VESA patterns up to 800 x 440mm
- Sturdy 11 Ga steel construction
- Scratch resistant powder coat finish
- Wiring channel inside main pillar
- Adjustable height camera mount during setup
- Adjustable TV bracket height during setup

Options

- **PM-HDCB** HD Codec bracket
- **BKT-MCM** Mac mini bracket
- **BKT-ST60** Cisco SpeakerTrack60 Camera bracket
- **BKT-C20** C20 codec bracket
- **BKT-SX20** SX20 Codec bracket
- **PM-PB** Mounted six outlet power bar with 10 ft. cord

Specifications

Model: PM2-S
Width: 35"
Depth: 9"
Height: 35"-57"
Finish: Black



The information contained in this drawing is the sole property of Audio Visual Furniture International. Any reproduction in part or as a whole without the written permission of Audio Visual Furniture International is prohibited. We can build or modify stock configurations to suit customer specifications. Please contact us to discuss how this service can help meet your needs. Some quantity restrictions may apply. Specification subject to change without notice. Computers, cameras, monitors, etc. are shown to illustrate product usage and are not included unless otherwise noted.