



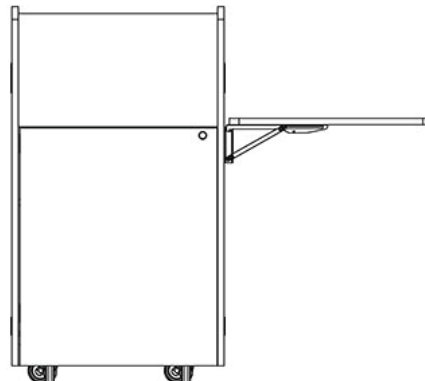
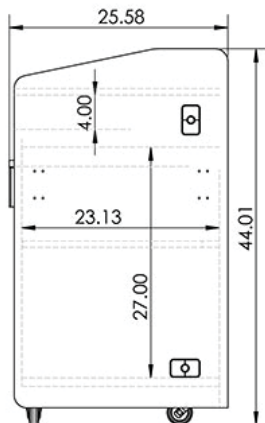
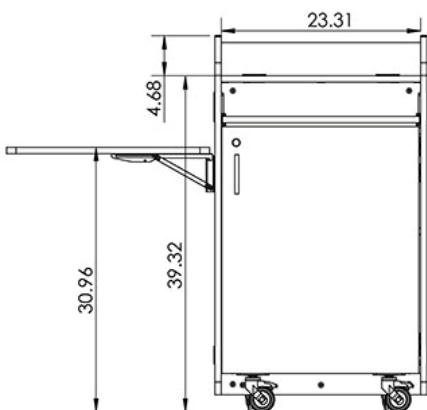
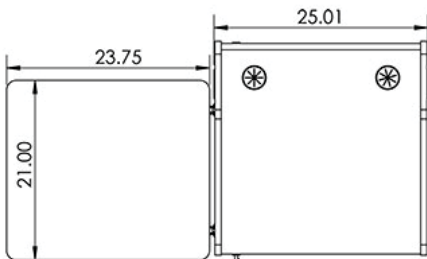
LE3040 is a complete lectern solution including our most popular options. A large flat top surface to accommodate lecture notes, laptops and monitors. A sliding keyboard tray and folding side shelf. The lower cabinet has an adjustable shelf and ample storage space for your equipment behind locking front and rear doors, etc.

Standard Features

- Large flat work surface 23.3" W x 24" D
- Large interior storage cabinet
- Front and rear locking doors
- Slide out keyboard shelf
- Adjustable interior shelf with cable pass-through. Cable ports on top and bottom of the unit
- Folding side shelf - Black only (Can accommodate 2)
- Heavy duty casters (2 locking)
- Made with furniture grade laminates
- Ships assembled

Options

- **C900S/D** Single/dual adjustable monitor arm
- **PLM1022** 10" - 24" Monitor mount
- **MM1232** 12" - 32" Monitor mount
- **MCB1925** 19" - 25" Monitor/camera bracket
- **FM3** Count down timer/clock
- **FAN** Quiet cooling fan
- **MIC-18** MX418 S/C Shure Gooseneck microphone
- **LIGHT-18** Littlite Gooseneck
- **PB** Six outlet power bar with 10 ft. cord
- **PC-PATCH** 2x 110AC, RJ45, Phone, 2xUSB
- **SF-PB3** Surface mounted 3-outlet 120V power bar
- **CUB3** Round cable well
- **CUB4** Black-B/Silver-S Power Panel
- **CUB5** Round cable well (Black or silver)
- **CUB8** Table top cable well
- **CHGQIW/B** Wireless charging station white or black Requires CHGQIW/B
- **CHGQI-DNGL** Dongle Lightning, USB Type-C, Micro-USB.
- **9031/9041/9052** Utility metal shelves/drawer (Check website)
- **DIR9200-10/12** 10U/12U Rack module
- **RMT14** 14U rack frame - Replaces interior shelf
- **SH-LE** Additional interior shelf
- **SH-FL** Additional folding side shelf kit
- **9107** Lacing bar (19" long)
- **LEV4AX4** 4x Levelers for non-mobile applications
- **CUSTOM CUTOUT** Cutouts for electronics or other items specified by the customer



Specifications

Model: LE3040
Width: 27" (shelf down)
Depth: 25.6"
Height: 44.25"

Finishes



Other finishes are available with a longer lead time. Check website.

The information contained in this drawing is the sole property of Audio Visual Furniture International. Any reproduction in part or as a whole without the written permission of Audio Visual Furniture International is prohibited. We can build or modify stock configurations to suit customer specifications. Please contact us to discuss how this service can help meet your needs. Some quantity restrictions may apply. Specification subject to change without notice. Computers, cameras, monitors, etc. are shown to illustrate product usage and are not included unless otherwise noted.