



The teaching multimedia desk is the ideal mobile solution for high tech classrooms, lecture halls and corporate training sites. Model **EDU-MD** features EIA compliant 14U rack rails in a fan vented housing. An articulating keyboard and mouse tray slides out from under the large work surface.

Standard Features

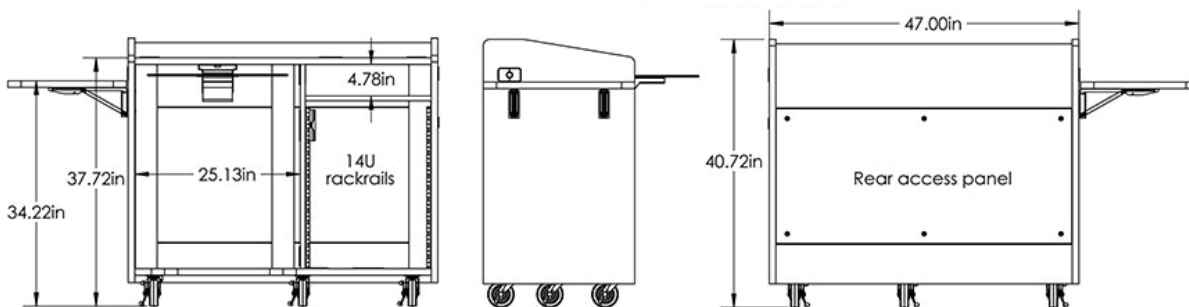
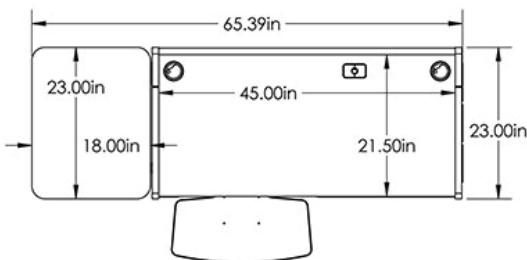
- Made with furniture grade laminates
- Large 45" W x 21.5" D work surface to accommodate monitors, laptops and presentation documents
- Slide-out articulating keyboard tray with mousepad
- Folding side shelf - Black only
- 14U EIA compliant threaded rack rails (10-32 screws)
- Storage cubby 19.25" W x 21.5" D x 5.5" H
- **FAN** Quiet cooling fan
- Removable panel for rear access
- Heavy-duty locking casters for easy maneuvering
- Ships assembled

Options

- **C900S** 15" - 24" Adjustable monitor arm
- **C900D** Adjustable dual monitor arm
- **PLM1022** 10" - 24" Monitor mount
- **MM1232** 12" - 32" monitor mount
- **MCB1925** 19" - 25" Monitor/camera bracket
- **FM3** Count down timer/clock
- **MIC-18** MX418 S/C Shure Gooseneck microphone
- **LIGHT-18** Littlite Gooseneck
- **FAN** Quiet cooling fan
- **PB** Six outlet power bar with 10 ft. cord
- **PC-PATCH** 2x 110AC, RJ45, Phone, 2x USB
- **SF-PB3** Surface mounted 3-outlet 120V power bar
- **CUB3** Round cable well (Up to 2)
- **CUB4** Black-B/Silver-S Power Panel
- **CUB5** Round cable well (Black or Silver)
- **CUB8** Table top cable well
- **CHGQIW/B** Wireless charging station white or black
- **CHGQI-DNGL** Dongle Lightning, USB Type-C, Micro-USB. (Requires CHGQIW/B)
- **9031/9052** Metal shelf/drawer
- **EDU-MD Door** Locking acrylic door
- **SH-FL** Additional folding shelf on other side
- **9107** Lacing bar (19" long)
- **LEV4AX5** 5x Levelers for non-mobile applications
- **CUSTOM CUTOUT** Cutouts for electronics or other items specified by the customer



Optional acrylic door (Sold separately)



Specifications

Model: EDU-MD
Width: 49"
Depth: 23"
Height: 41

Finishes



Other finishes are available with a longer lead time. Check website.

The information contained in this drawing is the sole property of Audio Visual Furniture International. Any reproduction in part or as a whole without the written permission of Audio Visual Furniture International is prohibited. We can build or modify stock configurations to suit customer specifications. Please contact us to discuss how this service can help meet your needs. Some quantity restrictions may apply. Specification subject to change without notice. Computers, cameras, monitors, etc. are shown to illustrate product usage and are not included unless otherwise noted.