



The **RK5106** is a Mobile Rack, ideal for equipment storage. It features front 12U Rack frame with adjustable shelf, a top surface with grommet for wire entry, front and rear locking doors.

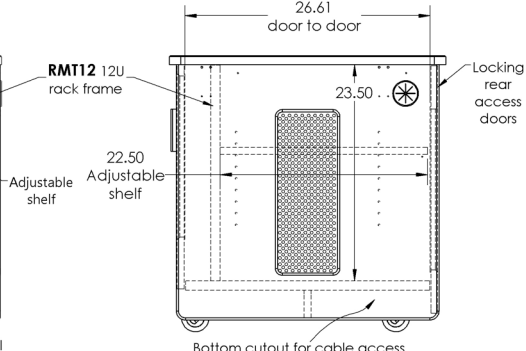
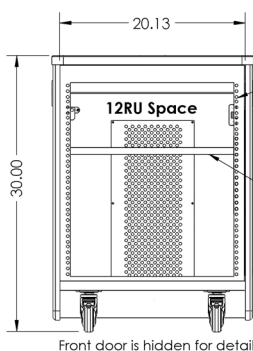
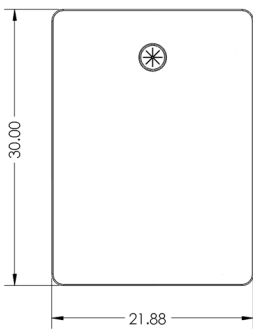
Standard Features

- 21.875" W X 30" D work surface
- Cable access grommet on top and side panels
- Easy front and back access with metal vents
- Rack 12 spaces EIA compliant threaded rack frame (10-32 screws)
- Interior adjustable shelf
- Ventilation provided through vents all around
- Heavy-duty casters for easy maneuvering (2 locking)
- Highly resistant thermowrap surface & body finish
- Ships assembled

Options

- **5104TP** 36.5" Bridge Top (for modular options)
- **C900S** 15" - 24" Adjustable monitor arm
- **PLM1022** 10" - 24" Monitor mount
- **MM1232** 12" - 32" Monitor mount
- **MCB1925** 19" - 25" monitor/camera bracket
- **PB** Six outlet power bar with 10 ft. Cord
- **9031/9041/9052** Metal shelves/drawer (Check website)
- **RMT12** 12U rack frame kit (Rear)
- **9107** Lacing bar (19" long)
- **LEV4AX4** 4x Levelers for non-mobile applications

This **RK5106** Mobile Rack can be linked as Modular to **PD51** Station, **PD5103** Podium and **RK5105** Mobile Rack using the optional **5104TP** 36.5" Bridge Top below.



Specifications

Model: RK5106
Width: 21.875"
Depth: 30"
Height: 30"

Finishes:



Other finishes are available. Check website.

The information contained in this drawing is the sole property of Audio Visual Furniture International. Any reproduction in part or as a whole without the written permission of Audio Visual Furniture International is prohibited. We can build or modify stock configurations to suit customer specifications. Please contact us to discuss how this service can help meet your needs. Some quantity restrictions may apply. Specification subject to change without notice. Computers, cameras, monitors, etc. are shown to illustrate product usage and are not included unless otherwise noted.