



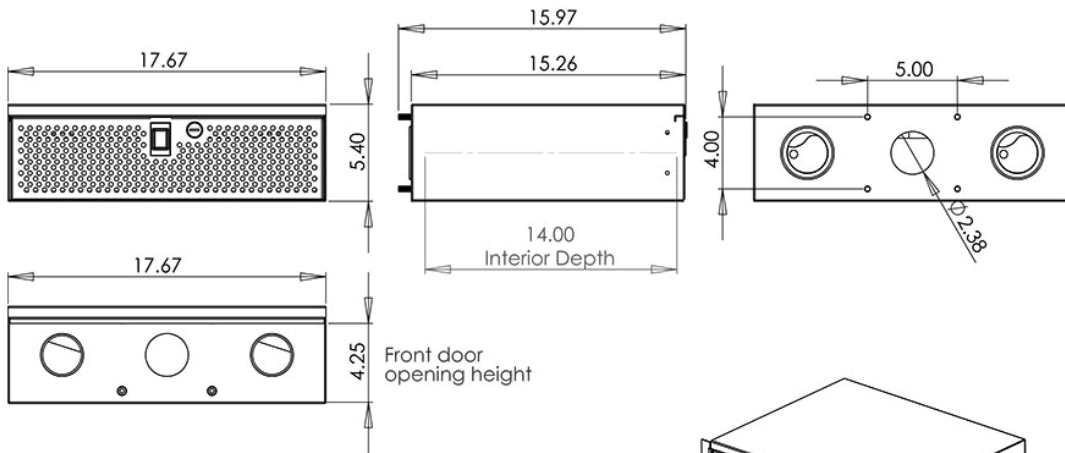
Need to secure a codec or electronic device on a PM-S-FL or standard 19" rack mount?
Do it with our lockbox model **LB3** (3 rack units)
Heavy duty vandal resistant steel construction finished in a durable black powder coat. Perfect for safely storing electronics and accessories like remotes and cables.

Standard Features

- Heavy duty vandal resistant welded steel design
- Includes rack ears for standard 19" rack mounting
- Bolts to PM-S-FL stand
- Perforation allows for infrared remote operation
- Venting in door and bottom
- 3 grommets in back for cable management
- Durable powder coated black finish
- LB3 inside clear 17 1/4" W X 14" D X 4 1/2" H

Specifications

Model: LB3
Width: 17-5/8"
Depth: 16"
Height: 5-1/2"
Color: Black



LB3 installed in a PM-S-FL (Sold separately)

Shown with supplied rack mounting rack ears.

The information contained in this drawing is the sole property of Audio Visual Furniture International. Any reproduction in part or as a whole without the written permission of Audio Visual Furniture International is prohibited. AVFI can build or modify stock configurations to suit customer specifications. Please contact us to discuss how this service can help meet your needs. Some quantity restrictions may apply. Specification subject to change without notice. Computers, cameras, monitors, etc. are shown to illustrate product usage and are not included unless otherwise noted.