

Top Rear Removable

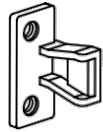
The Top Rear Removable Panel is intended to be mounted in a wedge position or as flat work surface. Instructions apply for the following Podiums: PD3001, PD3002, PD3007, PD3006.

Note: If you cannot understand these instructions or are concerned about safety of the installation contact a qualified contractor or contact AVFI at 1-877-834-3876

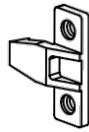
Supplied Hardware



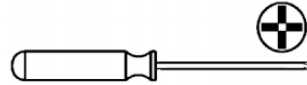
#6-1/2" Screw
(16)



Female Push Fit
fastener (4)

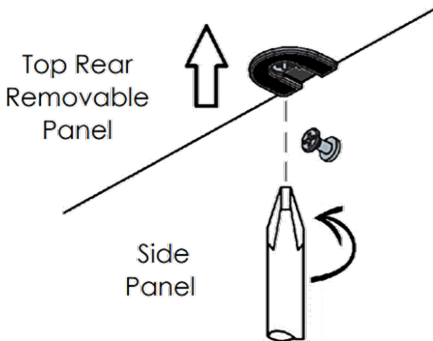


Male Push Fit
fastener (4)

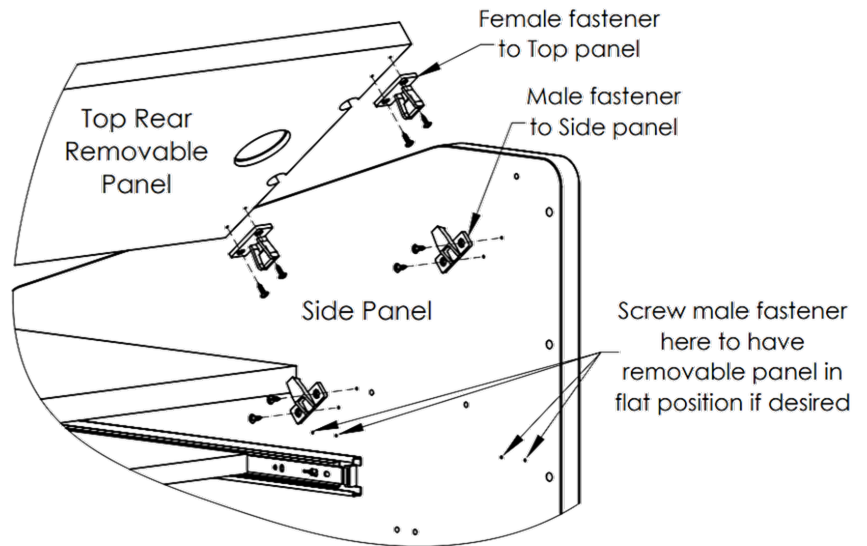


Tools required

- 1 Remove Top rear panel by loosening up the 4 cam connectors from underneath.



- 2 Screw Female and Male connectors into the pilot holes provided on both sides as shown below for wedge position.



- 3 Push evenly by holding the panel from the grommet holes. The fasteners will lock together. Pull in the same manner to remove the panel.
Note: Panel can also be removed by pushing up from the inside if there are special cuts or if devices cover the grommet holes.

