



The lectern model **LE4001** is a slim and elegant presentation lectern with a modern look. It features a 39" high large work surface to accommodate lecture notes or a laptop, a lower shelf with wiring channel, a large weighted base with access cutout for improved ergonomics. Finished in furniture grade laminates with aluminum accents.

Standard Features

- Work surface height of 39" with cable pass-through
- Large work surface 23-3/4" W X 16-1/4" D
- Anodized aluminum accents for a modern look
- Interior shelves with cable pass-through
- Finished in furniture grade laminates with aluminum accents
- Ships partly assembled (3 pieces)



Options

- **PB** Six outlet power bar with 10 ft. cord
- **CUB3** Round cable well
- **LIGHT-18** Littlite Gooseneck
- **CUSTOM CUTOUT** Cutouts for electronics or other items specified by the customer

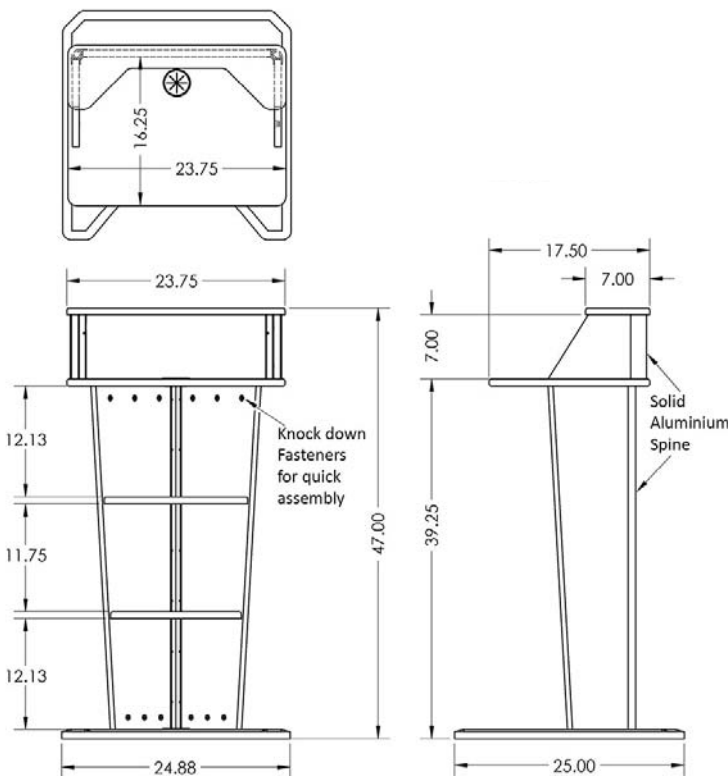
Specifications

Model: LE4001
Width: 24 7/8"
Depth: 25"
Height: 47"

Finishes



Other finishes are available. Check website.



The information contained in this drawing is the sole property of Audio Visual Furniture International. Any reproduction in part or as a whole without the written permission of Audio Visual Furniture International is prohibited. We can build or modify stock configurations to suit customer specifications. Please contact us to discuss how this service can help meet your needs. Some quantity restrictions may apply. Specification subject to change without notice. Computers, cameras, monitors, etc. are shown to illustrate product usage and are not included unless otherwise noted.